



SAFETY PASS
SINCE 1989

ZHEJIANG ANTONG 安通

ELEC & TECH CO.,LTD
www.safetypass.com



浙江安通电子科技有限公司

温州国际贸易部

地址：浙江省温州市永嘉县三江街道立体城瓯江国际1606室
邮编编码：325100
电话：+86 577 88899037 88899211
+86 577 88899550 67331958

工厂地址：

浙江省丽水市青田县船寮镇赤岩工业区4号
邮政编码：323911
电话：+86 578 6798666 6798585
传真：+86 578 6798582

邮箱：zjat_info@safetypass.com
网址：www.safetypass.com

ZHEJIANG ANTONG ELEC & TECH CO.,LTD

Wenzhou International Trade Dep.

No.1606 Oujiang Guoji , Sanjiang Sub- district, Yongjia,
Wenzhou , Zhejiang Postcode: 325100
Tel: +86 577 88899037 88899211
+86 577 88899550 67331958

Production Base:

No.4,Chiyuan Industrial Park, Chuanliao Qingtian,
Lishui, Zhejiang, China Postcode : 323911
Tel: +86 578 6798666 6798585
Fax: +86 578 6798582

E-mail: zjat_info@safetypass.com
Http: //www.safetypass.com

TERMINAL BLOCK
接线端子制造商

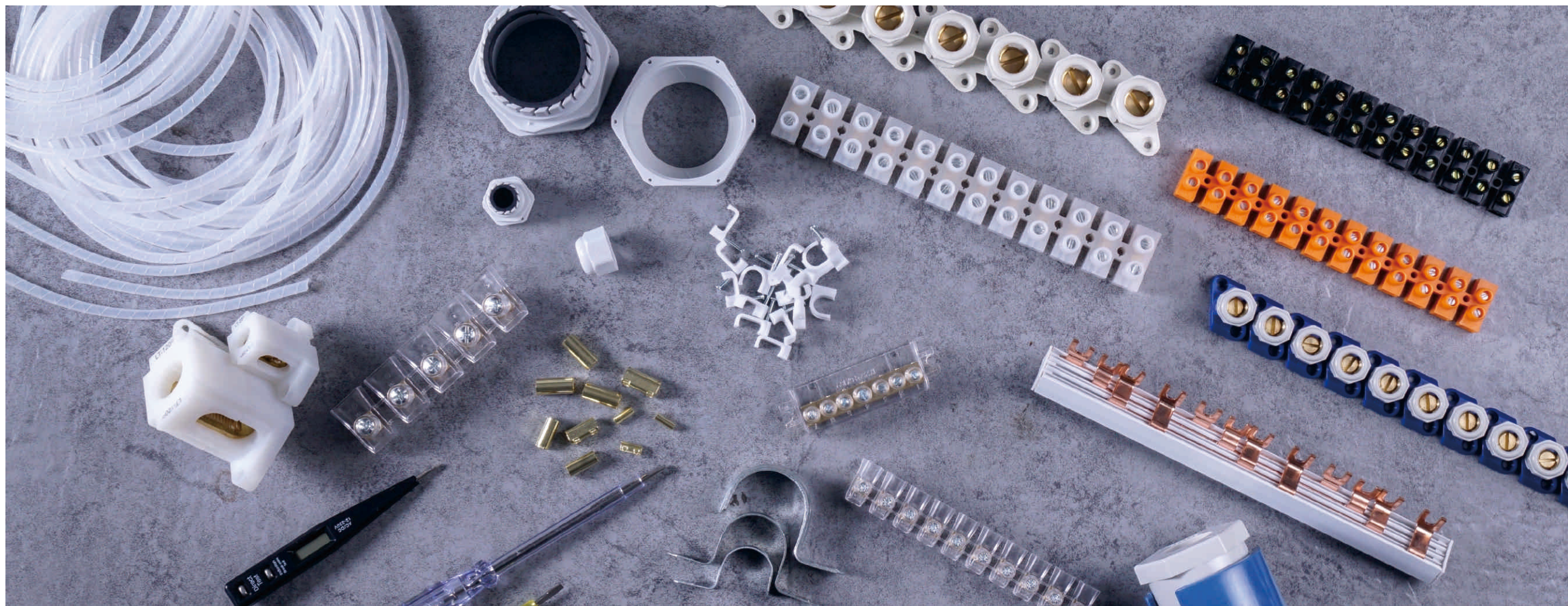


To Buyers

Antong, the leading manufacturer and exporter of terminal blocks & electrical accessories in China, in the past 34 years we gained excellent reputation with our positive business approach and dedication to produce outstanding quality products. The trademark "Safety Pass" is widely known among the professionals over the worldwide.

Certified raw material, strictly quality control and thoughtful services are our keys to continuing success. The 55,000m² production base located in Qingtian Zhejiang with 150 skilled workers and over 30 self-invented production machines enhanced the daily production capacity of 100,000pcs terminal blocks.

The company strongly focuses on designing new products and improves the current items to maintain the best possible solution for our clients. Antong will continue to provide thoughtful services and reliable products for our business partners over the worldwide.



ABOUT US

Zhejiang Antong Elec & Tech Co., Ltd., developing from Zhejiang Antong Electric Co., Ltd. established in 1989 with a base in Sanjiang Industrial Zone of Wenzhou, was founded in October 2011. In 2012, the company moved into the production base in Qingian of Zhejiang Province and started to gain stronger development momentum.

Thanks to our ongoing technical renovation and quality control of production lines, the quality of our products has been well guaranteed. Good faith, solid management, excellent technology, and efficient teamwork are what makes Antong sell products far and wide to countries and regions such as Europe, Western Europe, North America, Southeast Asia, and Middle East.

Till 2017, the factory of the company has covered an area of 3.335 hectares with a building area of 55000 m². At the same time, it has realized the goal to produce screws to fulfill its own assembly needs. Up to now, the company has invested RMB 10 million in renovation and purchase of equipment. The number of automatic and semi-automatic production equipment as well as auxiliary equipment has reached over 300 (sets). With advanced production technology and with the application of high-quality brass and high-grade plastic materials including PE、PP、PA、PC, the daily production capacity reaches over 100,000 pieces of different types of Terminal Blocks and Brass Bars.

Holding the customers' demands as the core, pursuing top quality and credit as the ultimate goal, and embracing innovation as the principle, our company will strive to return the society and repay our customers with our practical actions.

关于我们

浙江安通电子科技有限公司成立于2011年10月，前身为浙江安通电器有限公司创建于1989年，原坐落于永嘉县瓯北镇三江工业区。自1993年至2011年公司连续逐年获得浙江省企业资信等级AAA级荣誉、浙江省名优产品、永嘉县总工会颁发的合格职工之家荣誉、永嘉县工商局颁发的重合同守信用单位荣誉、永嘉县国家税务局颁发的纳税信誉单位荣誉。连续15年荣获永嘉县人民政府颁发的优胜企业、明星企业称号，并于2009年被中华人民共和国海关列为A类管理企业。

2012年公司更以崭新的容貌面世，进驻位于浙江青田的生产基地。2017年公司扩建厂房后总占地50亩，建筑面积55000平方米，开始投入螺丝生产实现100%螺丝自产自用。公司先后投入1000万元用于改造和购买设备，现拥有配套的全自动、半自动生产设备、辅助设备300余台（套），采用先进生产工艺并选用优质黄铜及高档PE、PP、PA、PC塑料材料。日产H、U型系列等不同规格接线端子、铜条10万余件。

通过不断的技术改造、生产环节的质量控制，保证了公司产品质量的稳定。良好的诚信、扎实的管理，过硬的技术、和谐的团队造就了安通产品远销东欧、西欧、北美、东南亚、中东等国家和地区。出色的品牌实力，使得安通产品深受海内外客商青睐与信任。

公司一直秉承以用户需求为核心，以质量、信用领跑同行业第一为目标，以不断创新的理念服务于客户。公司力争以实际行动回报社会、回报广大客户对我公司的厚爱！

COMPANY HISTORY

企业历程

- 1989年，我们在砖瓦房里开始了第一单接线端子订单的生产；
- 1996年，我们建造了自己的第一栋标准厂房
- 1997年，我们拥有了属于自己的品牌：安通 Safetypass；
- 2005年，我们拥有了第二栋标准厂房，并成功获批自营出口权；
- 2009年，我们连续参加广交会10届；
- 2012年，我们搬进位于浙江青田占地20亩，建筑面积22000平方米的全新生产基地；
- 2014年，我们连续参加广交会20届；
- 2017年，我们扩建厂房后总占地50亩，建筑面积55000平方米。开始投入螺丝生产实现100%螺丝自产自用
- 2019年，部分产品取得VDE、NF认证
- 1989, we started first order of terminal blocks in a brick house;
- 1996, we built our first factory;
- 1997, we had our brand name "Safetypass" registered;
- 2005, we owned our second factory, and granted Independent Import& Export Right;
- 2009, The 10th time we continuously take the participation of Canton Fair;
- 2012, we moved into the new production base with total area of 20mu, 22000m² floor area in Qingtian Zhejiang;
- 2014, the 20th time we continuously take the participation of Canton Fair;
- 2017, we enlarge our factory to total area of 50mu, 55000m² floor area. Also stated the production of screws for own 100% use in terminal blocks.
- 2019, Certified with VDE、NF certification

CERTIFICATE & HONOR

证书和荣誉



-1989-



-1996-



-2005-



2012- current



SP001 Page 10	CE SP001-50 Page 21		
CE SP001 Page 15	CE SP001 Page 16		
SP002 Page 17	SP003 Page 18		
SP005 Page 24	SP007 Page 26		
SP008 Page 27	SP009 Page 28		
SP011 Page 35	SP011 Page 36		
SP012 Page 44	SP013 Page 38		
SP014-15 Page 39	SP016 Page 40	SP017 Page 29	SP018 Page 29
SP020 Page 30	SP021 Page 31	SP022 Page 31	SP023 Page 32

SP026 Page 46	SP027 Page 46	SP028 Page 49
SP029 Page 50	SP030 Page 51	SP031 Page 52
SP032 Page 53	SP033 Page 54	SP034 Page 55
SP036 Page 41	SP037 Page 56	SP040 Page 61
SP038 铜排 铜镀镍 Page 57		
SP101 Page 63	SP103 Page 69	SP104 Page 71
SP102 Page 65	SP109 Page 77	
SP105 Page 72	SP108 Page 75	
SP106 Page 73	SP110 Page 78	SP-2203 Page 79



Feed Through Terminal Blocks
 Conductor: Brass
 Screws: Steel, Zinc Plated

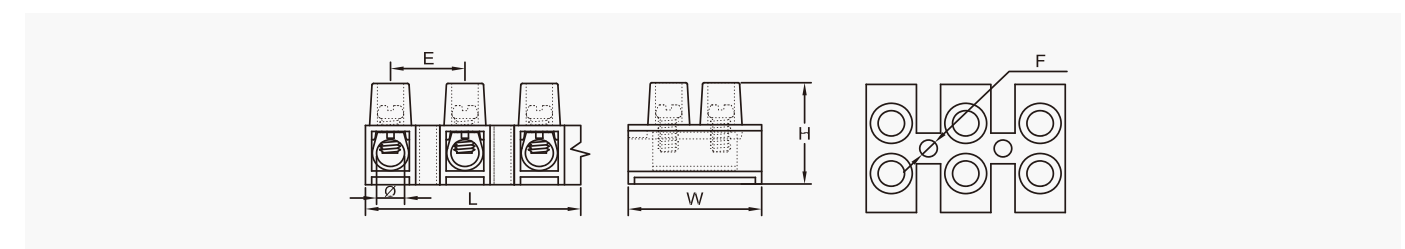
贯通式接线端子
 触件：铜
 螺丝：铁，镀锌



01

FEED THROUGH TERMINAL BLOCKS

贯穿式接线端子



H Type Terminal Blocks <PE>
 Working Temperature: -40°C To 65°C
 Color: ○ ● ● ● ● ●

H型接线端子<聚乙烯>
 工作温度：-40°C 至 65°C
 可选颜色：○ ● ● ● ● ●

Item No.	Wire Range	Amp	Volt	mm						Screw Size	PCS/CTN
				L	W	H	E	F	Ø		
SP001-01	2.5-4.0mm ²	3A	400V	92.3	16.8	12.3	7.8	2.4	3.0	M2.5	1000
SP001-02	4.0-6.0mm ²	6A	400V	115.4	18.8	15.4	9.6	2.7	3.3	M3.0	800
SP001-03	6.0-10.0mm ²	10A	400V	129.3	20.7	16.5	11.0	2.8	4.2	M3.0	500
SP001-04	10-12mm ²	15A	400V	137.8	22.5	18.6	11.7	3.1	4.5	M3.5	400
SP001-05	12-14mm ²	20A	400V	138.0	22.5	19.0	12.0	3.2	4.5	M4.0	400
SP001-06	16mm ²	30A	400V	164.0	22.5	20.0	13.7	3.4	5.5	M4.0	300
SP001-07	25mm ²	60A	400V	186.0	29.2	25.3	15.7	3.3	6.5	M4.0	160
SP001-08	35mm ²	80A	400V	226.8	36.1	29.0	19.2	4.0	8.0	M5.0	100
SP001-09	40mm ²	100A	450V	254.6	45.0	34.7	20.5	3.7	9.0	M6.0	50



Feed Through Terminal Blocks

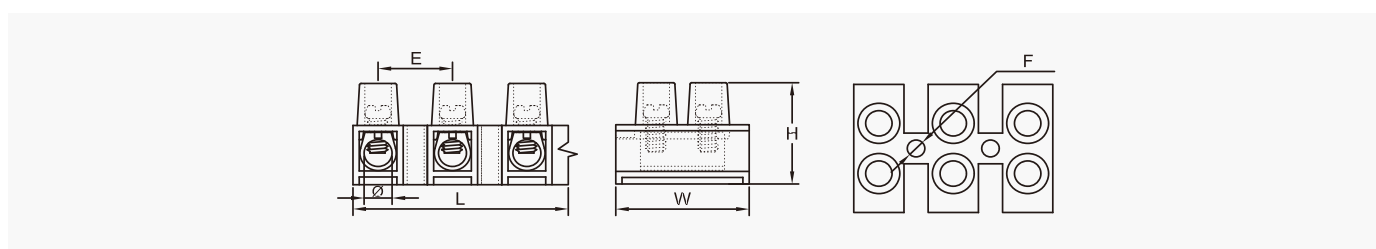
Conductor: Brass

Screws: Steel, Zinc Plated

贯通式接线端子

触件：铜

螺丝：铁，镀锌



H Type Terminal Blocks <PP>

Glow Wire Test: 850°C

Color: ○ ● ● ● ● ●

H型接线端子<聚丙烯>

灼热丝测试：850°C

可选颜色：○ ● ● ● ● ●

Item No.	Wire Range	Amp	Volt	mm						Screw Size	PCS/CTN
				L	W	H	E	F	Ø		
SP001-20	2.5-4.0mm ²	3A	400V	93.9	17.0	12.8	8.0	2.4	3.0	M2.5	1000
SP001-21	4.0-6.0mm ²	6A	400V	116.6	19.0	15.5	9.9	2.7	3.3	M3.0	800
SP001-22	6.0-10.0mm ²	10A	400V	131.5	21.0	16.3	11.5	2.8	4.2	M3.0	500
SP001-23	10-12mm ²	15A	400V	139.8	22.8	18.9	12.0	3.1	4.5	M3.5	400
SP001-24	12-14mm ²	20A	400V	140.2	22.9	20.3	12.2	3.2	4.5	M4.0	400
SP001-25	16mm ²	30A	400V	167.5	25.9	20.2	14.2	3.4	5.5	M4.0	300
SP001-26	25mm ²	60A	400V	189.0	29.7	25.8	15.7	3.3	6.5	M4.0	160
SP001-27	35mm ²	80A	400V	231.0	36.7	29.6	19.5	3.7	8.0	M5.0	100
SP001-28	40mm ²	100A	450V	256.0	45.5	35.6	22.0	4.0	9.0	M6.0	50

Feed Through Terminal Blocks

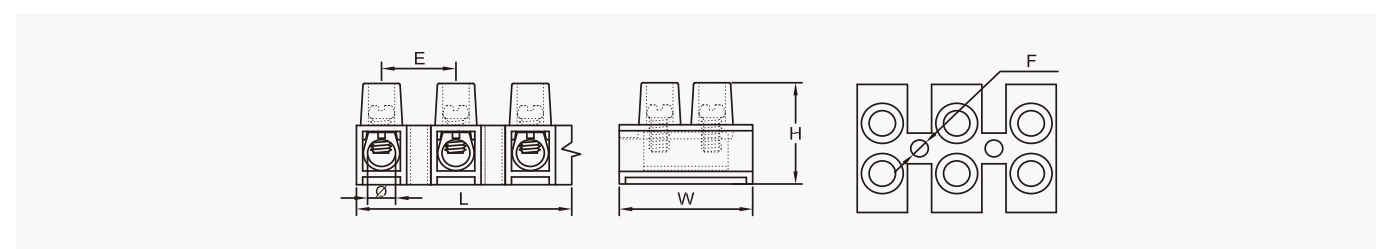
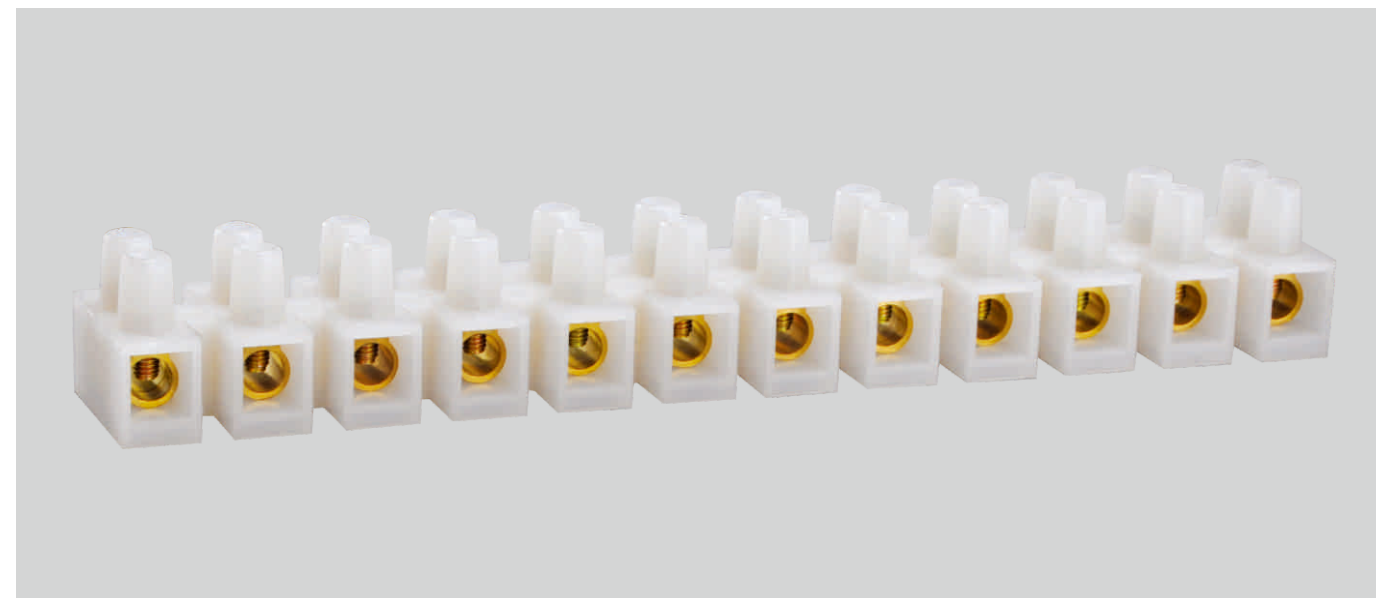
Conductor: Brass

Screws: Steel, Zinc Plated

贯通式接线端子

触件：铜

螺丝：铁，镀锌



H Type Terminal Blocks <PA6>

Glow Wire Test: 850°C

Color: ○ ●

H型接线端子<尼龙6>

灼热丝测试：850°C

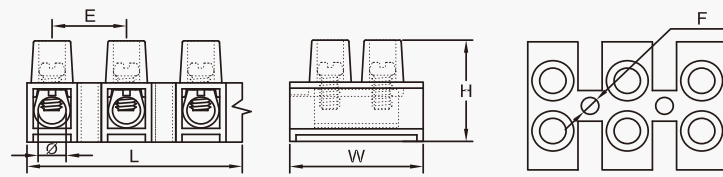
可选颜色：○ ●

Item No.	Wire Range	Amp	Volt	mm						Screw Size	PCS/CTN
				L	W	H	E	F	Ø		
SP001-30	2.5-4.0mm ²	3A	400V	95.3	17.5	13.0	8.0	2.5	3.0	M2.5	1000
SP001-31	4.0-6.0mm ²	6A	400V	117.4	19.0	15.5	10.0	2.6	3.3	M3.0	800
SP001-32	6.0-10.0mm ²	10A	400V	132.6	21.2	16.6	11.0	2.9	4.2	M3.0	500
SP001-33	10-12mm ²	15A	400V	142.0	23.2	19.0	11.8	3.2	4.5	M3.5	400
SP001-34	12-14mm ²	20A	400V	141.5	23.4	20.4	12.2	3.2	4.5	M4.0	400
SP001-35	16mm ²	30A	400V	169.0	26.1	20.5	14.2	3.4	5.5	M4.0	300
SP001-36	25mm ²	60A	400V	192.0	30.0	26.0	16.2	3.4	6.5	M4.0	160
SP001-37	35mm ²	80A	400V	233.5	37.0	29.8	20.0	3.8	8.0	M5.0	100
SP001-38	40mm ²	100A	450V	262.0	46.0	35.7	22.5	4.1	9.0	M6.0	50



Feed Through Terminal Blocks
Conductor: Brass
Screws: Steel, Zinc Plated

贯通式接线端子
触件：铜
螺丝：铁，镀锌



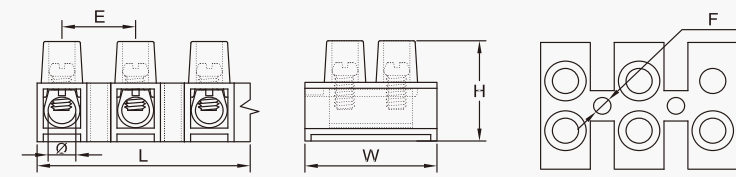
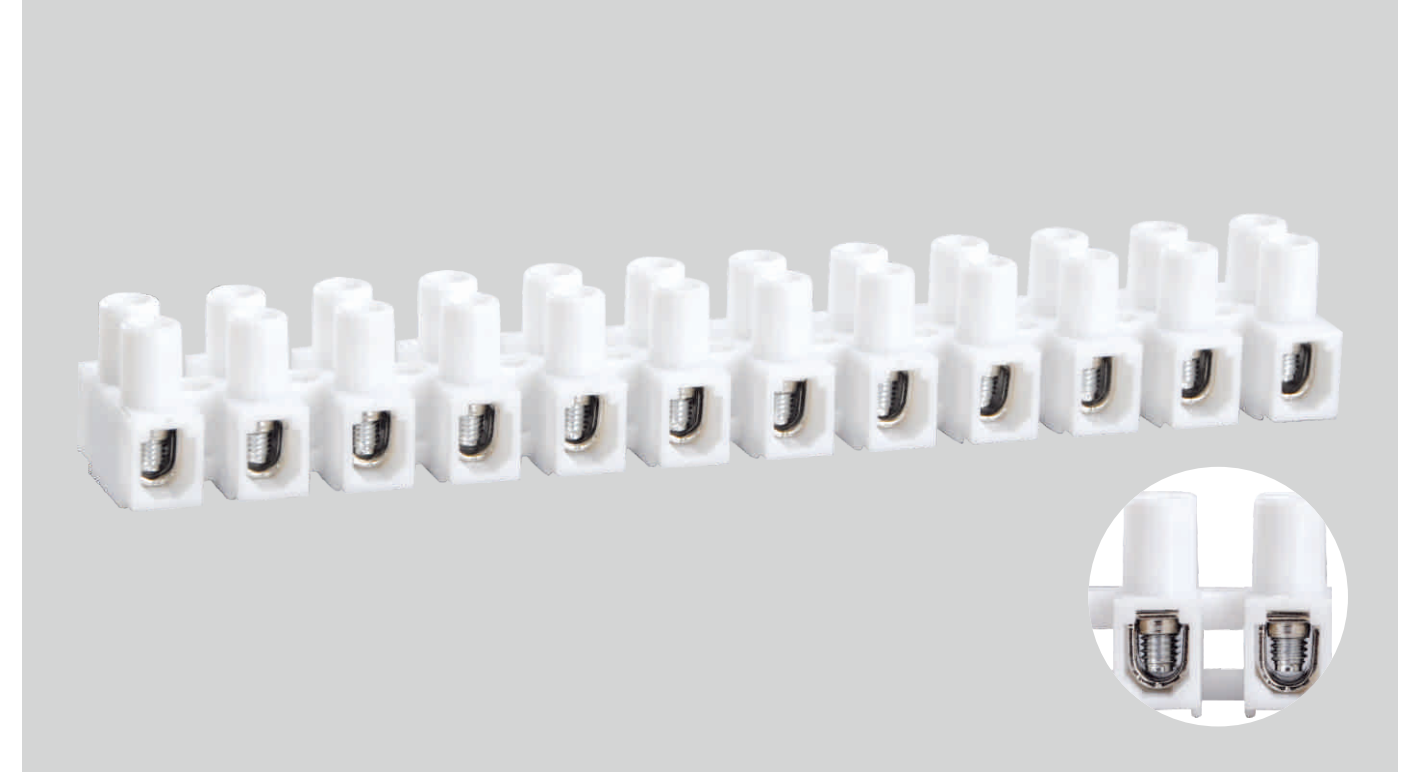
Saudi Arabia Economical Type <PE>
Working Temperature: -40°C To 65°C
Color: ○ ●

沙特阿拉伯经济型<聚乙烯>
工作温度：-40°C 至 65°C
可选颜色：○ ●

Item No.	Wire Range	Amp	Volt	mm						Screw Size	PCS/CTN
				L	W	H	E	F	Ø		
SP001-40	10mm ²	10A	380V	132.4	22.0	18.2	11.2	3.5	4.2	M3.5	1000
SP001-41	16mm ²	30A	380V	163.5	23.9	19.7	14.0	3.7	4.6	M4.0	300
SP001-42	25mm ²	60A	400V	190.5	30.7	25.3	16.4	4.0	6.3	M4.0	200
SP001-43	35mm ²	100A	450V	228.0	38.2	33.9	19.3	4.9	7.7	M5.0	100

Feed Through Terminal Blocks
Conductor: Steel, Steel With Brass Spring
Screws: Steel, Zinc Plated

贯通式接线端子
触件：铁，铁+铜弹簧片
螺丝：铁，镀锌



H Type Steel Terminal Blocks <PA6>
Glow Wire Test 850°C
Color: ○ ●

H型铁芯接线端子<尼龙6>
灼热丝测试：850°C
可选颜色：○ ●

Item No.	Wire Range	Amp	Volt	mm						Screw Size	PCS/CTN
				L	W	H	E	F	Ø		
SP001-50	2.5 mm ²	24A	450V	95.5	17.0	14.2	8.2	2.8	3.1	M2.5	1000
SP001-51*	2.5 mm ²	24A	450V	95.5	17.0	14.2	8.2	2.8	3.1	M2.5	1000
SP001-52	4.0 mm ²	24A	450V	115.5	19.0	16.8	10.0	3.5	4.6	M3.0	1000

*Steel Insert With Brass Spring 铁芯内件带铜片



Feed Through Terminal Blocks

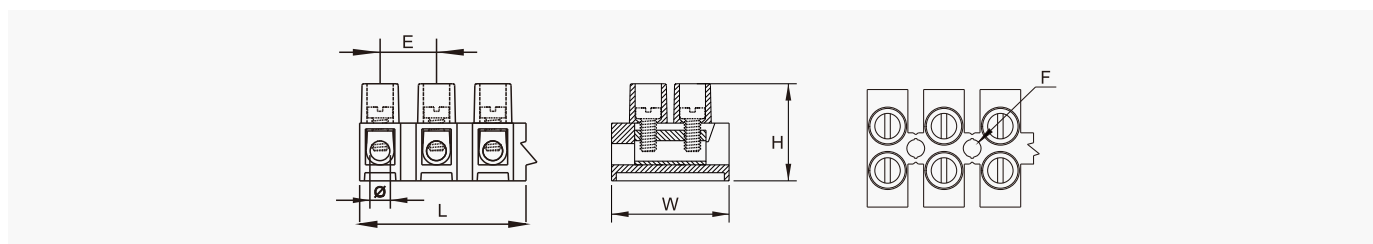
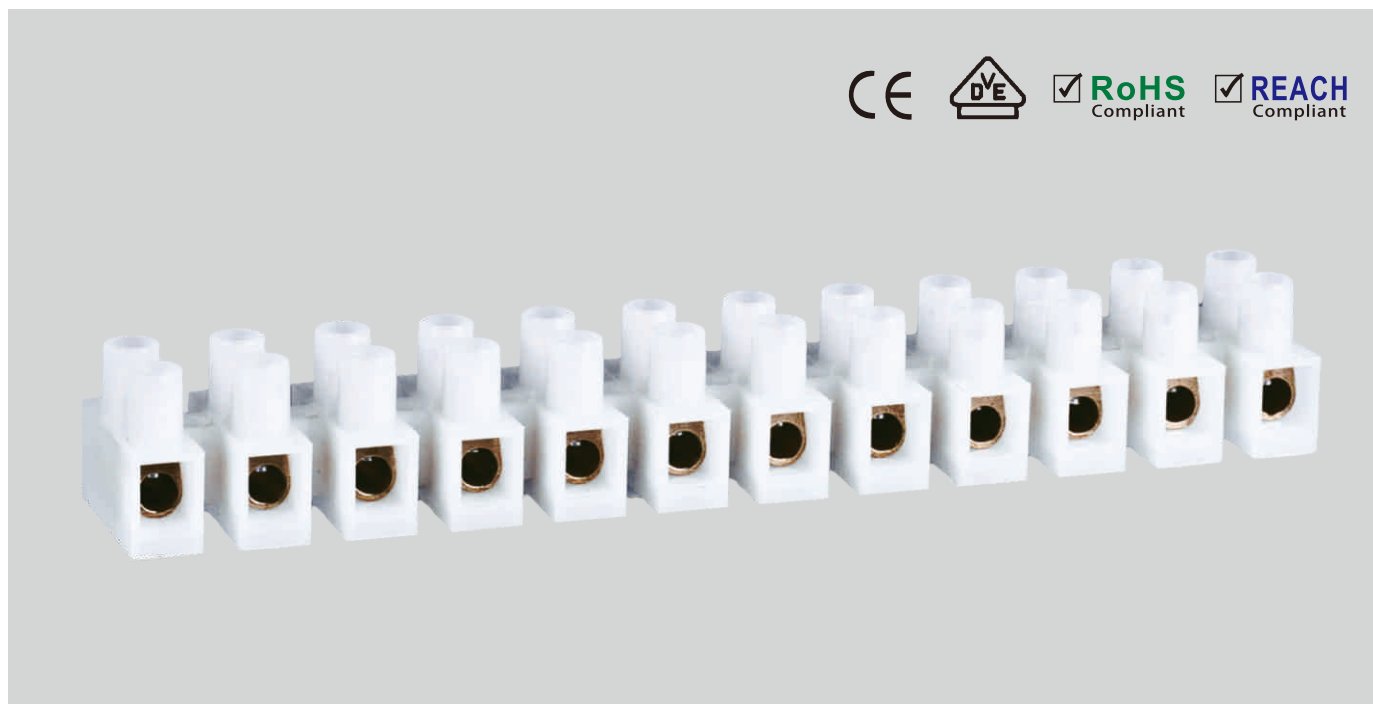
Conductor: Brass

Screws: Steel, Zinc Plated

贯通式接线端子

触件：铜

螺丝：铁，镀锌



H Type Terminal Blocks <PA6>

Glow Wire Test: 850°C

Ambient Temperature: T110°C

Color: ○ ●

H型接线端子<尼龙6>

灼热丝测试：850°C

环境温度：T110°C

可选颜色：○ ●

Item No.	Wire Range	Amp	Volt	mm						Screw Size	PCS/CTN
				L	W	H	E	F	Ø		
SPV-01	0.75-1.5 mm ²	17.5A	450V	97.4	17.3	14.4	8.3	2.5	3.0	M2.5	1000
SPV-02	1.0-2.5 mm ²	24A	450V	118.6	20.3	16.8	10.2	3.2	3.3	M3.0	1000
SPV-03	2.5-6.0 mm ²	41A	500V	142.8	24.6	19.0	12.3	3.9	4.2	M3.5	500
SPV-04	4.0-10 mm ²	57A	500V	160.4	26.0	22.3	13.8	4.2	5.0	M4.0	300
SPV-05	6.0-16 mm ²	76A	500V	172.5	28.6	26.2	14.8	4.2	6.6	M4.0	200

Feed Through Terminal Blocks

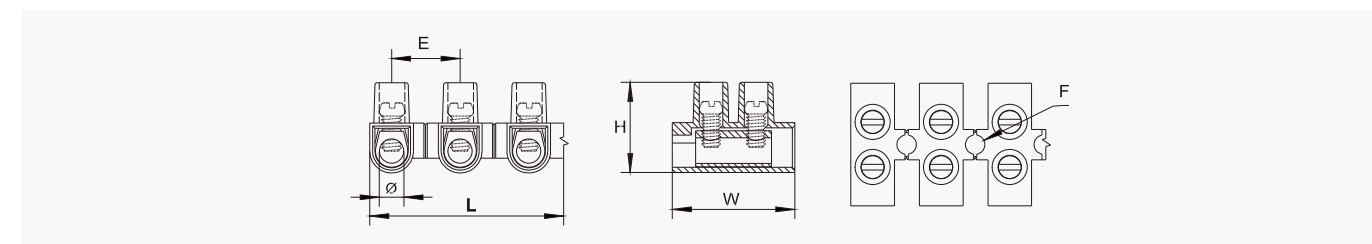
Conductor: Brass

Screws: Steel, Zinc Plated

贯通式接线端子

触件：铜

螺丝：铁，镀锌



U Type Terminal Blocks <PP>

Glow Wire Test: 850°C

Ambient Temperature: T85°C

Color: ○ ●

U型接线端子<聚丙烯>

灼热丝测试：850°C

环境温度：T85°C

可选颜色：○ ●

Item No.	Wire Range	Amp	Volt	mm						Screw Size	PCS/CTN
				L	W	H	E	F	Ø		
SPN-01	4.0mm ²	32A	400V	92.6	15.9	11.3	7.9	2.5	3.0	M2.5	1000
SPN-02	6.0mm ²	41A	400V	114.2	15.7	13.0	9.8	3.0	3.4	M3.0	1000
SPN-03	10mm ²	57A	400V	131.1	21.0	15.5	11.3	3.0	4.3	M3.0	500
SPN-04	16mm ²	76A	400V	168.1	25.8	19.4	14.5	4.1	5.4	M4.0	300
SPN-05	25mm ²	101A	400V	190.9	29.8	23.7	16.3	4.2	6.7	M4.0	200

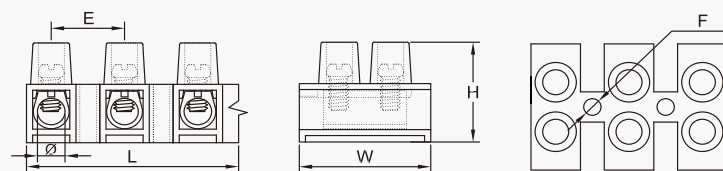
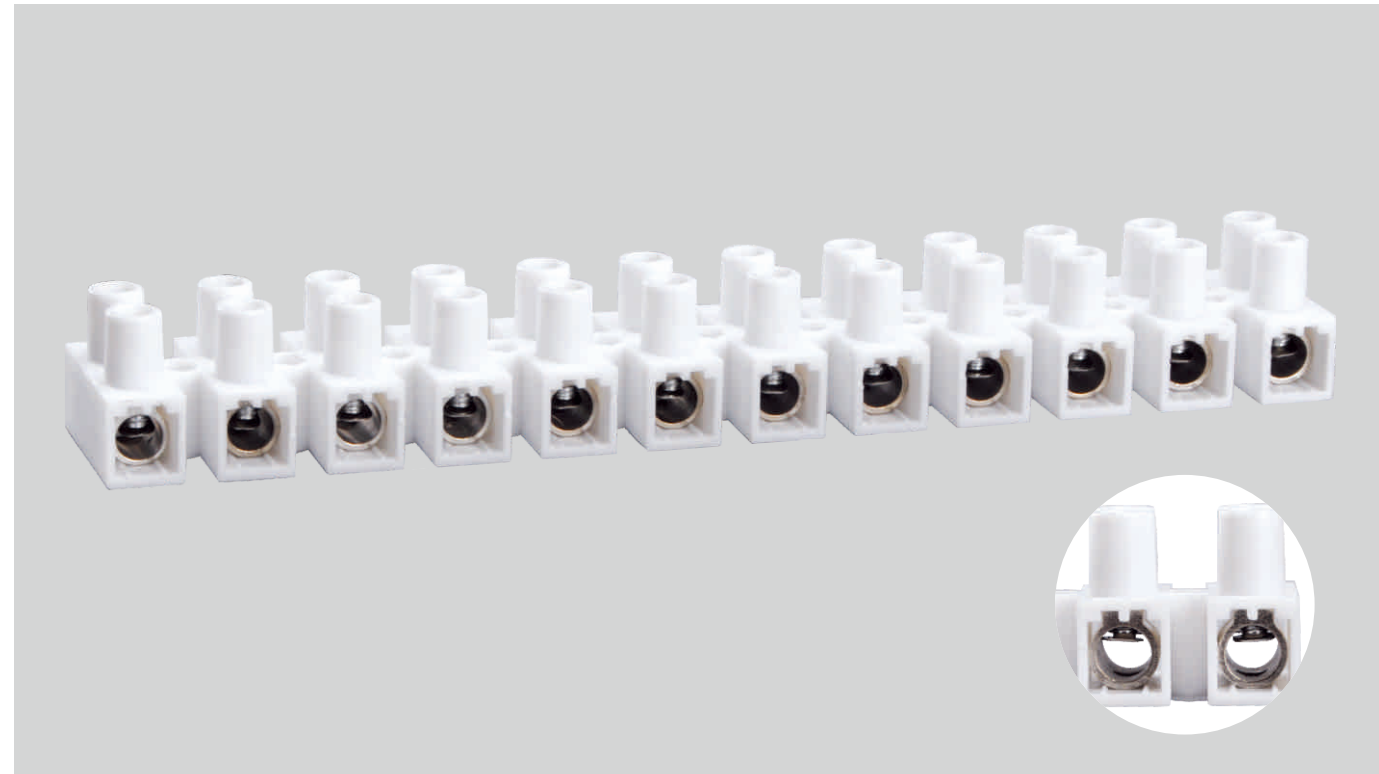


Wire Protection Terminal Blocks

Conductor: Brass (Nickled) With Stainless Spring
Screws: Steel, Zinc Plated

贯通式弹簧片接线端子

触件：铜(镀镍)带不锈钢弹簧片
螺丝：铁，镀锌



Wire Protection Terminal Blocks <PP>

Glow Wire Test: 850°C
Color: ○

贯通式弹簧片接线端子<聚丙烯>

灼热丝测试：850°C
可选颜色：○

Item No.	Wire Range	Volt	L	W	H	E	F	Ø	Screw Size	PCS/CTN
SP002-01	2.5mm ²	450V	94.1	17.9	12.5	7.8	2.6	2.8	M2.5	1000
SP002-02	4.0mm ²	450V	117.2	20.1	14.2	9.8	3.5	3.5	M3.0	1000
SP002-03	6.0mm ²	450V	140.7	23.1	16.8	12.0	4.0	4.2	M3.5	500
SP002-04	16mm ²	600V	170.5	27.1	21.5	14.5	4.5	6.0	M4.0	300
SP002-05	25mm ²	600V	201.0	36.3	27.0	16.9	4.5	7.6	M5.0	200

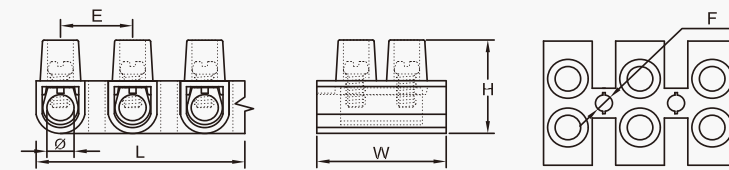
● Also Available In PA<V0> ● 也可选用尼龙<V0>等级外壳

Feed Through Terminal Blocks

Conductor: Brass
Screws: Steel, Zinc Plated

贯通式接线端子

触件：铜
螺丝：铁，镀锌



U Type Terminal Blocks <PE>

Working Temperature: -40°C to 65°C
Color: ○ ●

U型接线端子<聚乙烯>

工作温度：-40°C 至 65°C
可选颜色：○ ●

Item No.	Wire Range	Amp	Volt	L	W	H	E	F	Ø	Screw Size	PCS/CTN
SP003-01	2.5-4.0mm ²	3A	380V	91.4	15.6	10.8	7.5	2.5	3.0	M2.5	1000
SP003-02	4.0-6.0mm ²	6A	380V	112.5	15.5	12.8	9.5	2.9	3.3	M3.0	800
SP003-03	6.0-10.0mm ²	10A	380V	128.0	20.6	15.0	10.8	2.9	4.2	M3.0	500
SP003-04	10-12mm ²	15A	380V	137.3	22.5	16.6	11.5	3.1	4.5	M3.5	400
SP003-05	12-14mm ²	20A	380V	137.5	22.7	17.7	12.0	3.5	4.5	M4.0	400
SP003-06	16mm ²	30A	380V	164.5	25.3	19.0	14.2	3.5	5.5	M4.0	300
SP003-07	25mm ²	60A	380V	185.5	29.2	24.0	15.8	3.5	6.5	M5.0	160
SP003-08	35mm ²	80A	400V	204.5	32.6	27.2	17.3	4.5	7.0	M5.0	100
SP003-09	40mm ²	100A	450V	250.0	45.6	30.6	21.5	4.7	9.0	M6.0	50



Feed Through Terminal Blocks

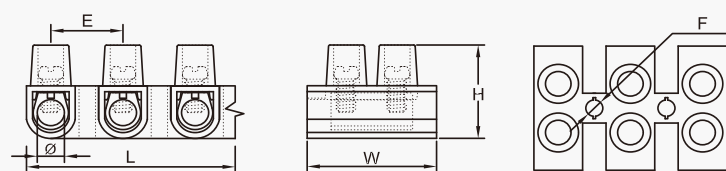
Conductor: Brass

Screws: Steel, Zinc Plated

贯通式接线端子

触件：铜

螺丝：铁，镀锌



U Type Terminal Blocks <PP>

Glow Wire Test:850°C

Color: ○ ● ● ●

U型接线端子<聚丙烯>

灼热丝测试：850°C

可选颜色：○ ● ● ●

Item No.	Wire Range	Amp	Volt	L	W	H	E	F	Ø	Screw Size	PCS/CTN
				mm							
SP003-20	2.5-4.0mm ²	3A	380V	92.5	15.6	10.7	7.5	2.5	3.0	M2.5	1000
SP003-21	4.0-6.0mm ²	6A	380V	114.3	15.7	12.8	9.6	2.9	3.3	M3.0	800
SP003-22	6.0-10.0mm ²	10A	380V	131.0	20.9	15.0	11.0	3.2	4.2	M3.0	500
SP003-23	10-12mm ²	15A	380V	138.8	22.8	16.8	11.8	3.2	4.5	M3.5	400
SP003-24	12-14mm ²	20A	380V	141.2	22.4	18.0	11.9	3.2	4.5	M4.0	400
SP003-25	16mm ²	30A	380V	167.0	25.7	18.8	13.9	3.6	5.5	M4.0	300
SP003-26	25mm ²	60A	380V	190.0	29.5	24.1	16.0	3.7	6.5	M5.0	160
SP003-27	35mm ²	80A	400V	208.0	32.9	27.3	17.5	4.6	7.0	M5.0	100
SP003-28	40mm ²	100A	450V	254.0	46.0	30.8	21.5	4.7	9.0	M6.0	50

Feed Through Terminal Blocks

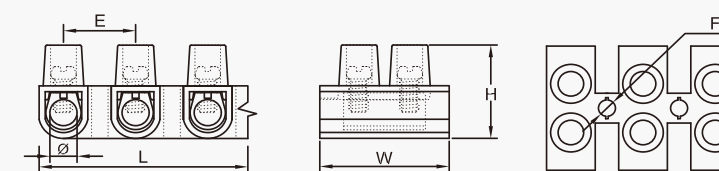
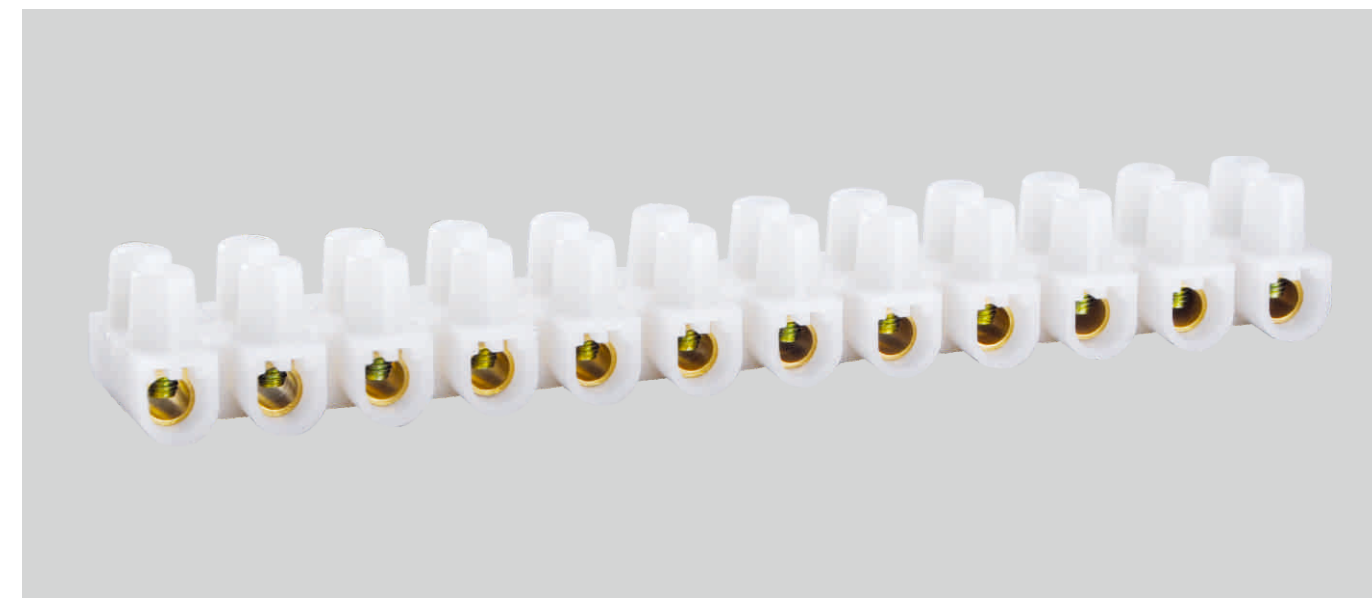
Conductor: Brass

Screws: Steel, Zinc Plated

贯通式接线端子

触件：铜

螺丝：铁，镀锌



U Type Terminal Blocks <PA6>

Glow Wire Test:850°C

Color: ○ ●

U型接线端子<尼龙6>

灼热丝测试：850°C

可选颜色：○ ●

Item No.	Wire Range	Amp	Volt	L	W	H	E	F	Ø	Screw Size	PCS/CTN
				mm							
SP003-30	2.5-4.0mm ²	3A	380V	93.2	15.8	11.0	7.5	2.5	3.0	M2.5	1000
SP003-31	4.0-6.0mm ²	6A	380V	114.8	15.8	13.0	9.7	2.9	3.3	M3.0	800
SP003-32	6.0-10.0mm ²	10A	380V	131.8	21.1	15.3	11.1	2.9	4.2	M3.0	500
SP003-33	10-12mm ²	15A	380V	141.5	23.0	17.0	11.8	3.1	4.5	M3.5	400
SP003-34	12-14mm ²	20A	380V	141.5	22.4	18.0	11.9	3.2	4.5	M4.0	400
SP003-35	16mm ²	30A	380V	169.0	26.0	19.2	14.5	3.5	5.5	M4.0	300
SP003-36	25mm ²	60A	380V	191.0	30.0	24.4	16.0	3.5	6.5	M5.0	160
SP003-37	35mm ²	80A	400V	211.0	33.0	28.0	17.8	4.5	7.0	M5.0	100
SP003-38	40mm ²	100A	450V	260.0	47.0	31.5	22.0	4.7	9.0	M6.0	50



Feed Through Terminal Blocks

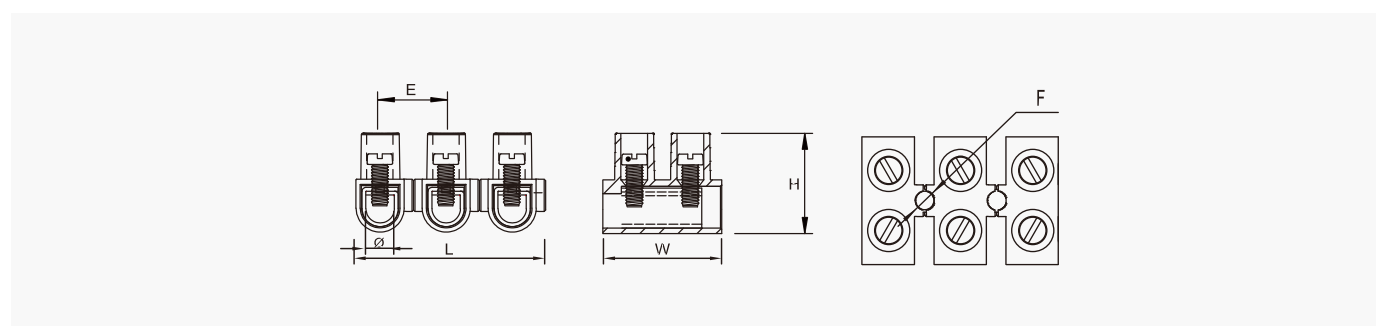
Conductor: Steel, Zinc or Brass Plated

Screws: Steel, Zinc Plated

贯通式接线端子

触件：铁，镀锌或铜

螺丝：铁，镀锌



U Type Terminal Blocks <PP>

Glow Wire Test:850°C

Color: ○ ●

U型接线端子<聚丙烯>

灼热丝测试：850°C

可选颜色：○ ●

Item No.	Wire Range	Volt	L	W	H	E	F	Ø	Screw Size	PCS/CTN
			mm							
SP003-40	1.5mm ²	400v	95.3	16.9	11.7	8.2	2.2	2.9	M2.5	1000
SP003-41	4.0mm ²	400v	109.6	17.9	13.5	9.1	2.5	3.1	M3.0	1000
SP003-42	6.0mm ²	400v	128.6	20.7	15.8	11	2.9	4	M3.0	500
SP003-43	10.0mm ²	400v	164	24.6	19.9	14	3.7	5.1	M4.0	300
SP003-44	16mm ²	400v	187.6	28.3	24	16	4.2	6.5	M4.0	200

Feed Through Terminal Blocks

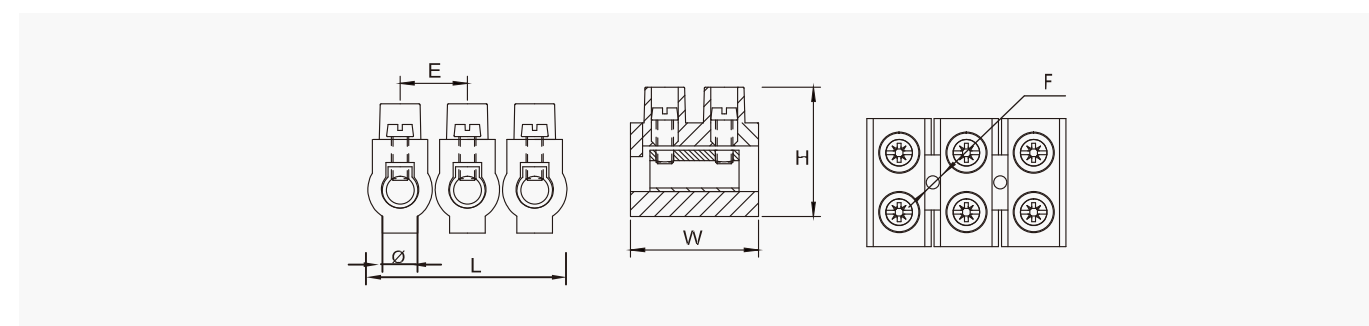
Conductor: Brass

Screws: Steel, Zinc Plated

贯通式接线端子

触件：铜

螺丝：铁，镀锌



U Type PVC Terminal Blocks

Working Temperature:-40°C To 65°C

Color: ●

U型PVC接线端子

工作温度：-40°C至65°C

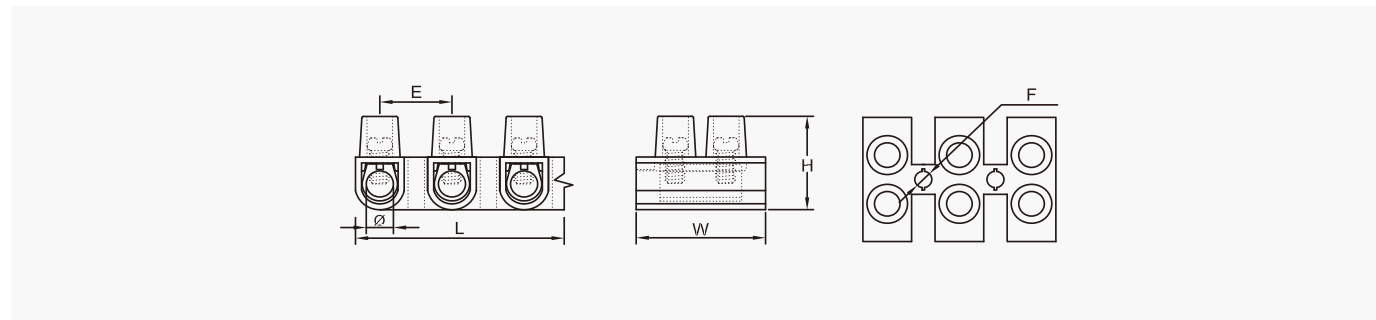
可选颜色：●

Item No.	Wire Range	Amp	Volt	L	W	H	E	F	Ø	Screw Size	PCS/CTN
				mm							
SP003-50	16mm ²	30A	500V	164.8	25.7	20.2	11.2	3.2	5.7	M4	100
SP003-51	25mm ²	80A	500V	226.3	36	36.2	16.7	3.7	8.0	M5	50



Feed Through Terminal Blocks
Conductor: Brass
Screws: Steel, Zinc Plated

贯通式接线端子
触件：铜
螺丝：铁，镀锌



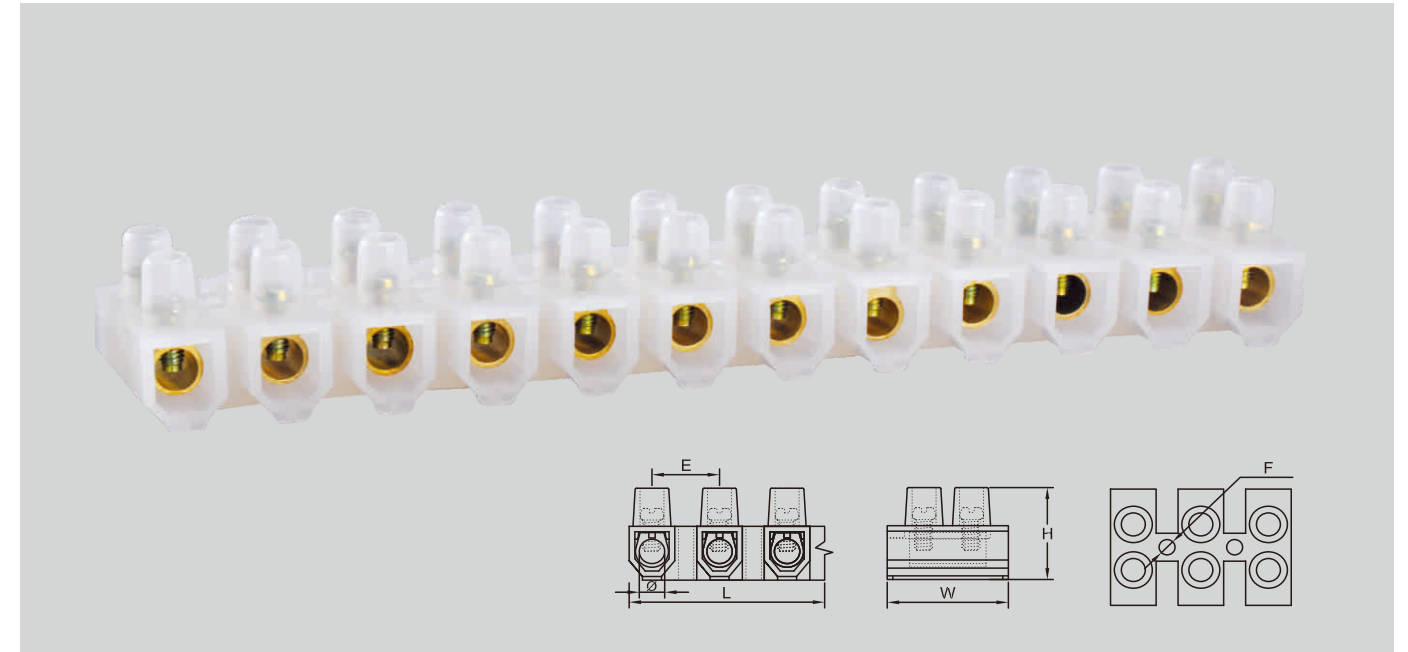
U Type Extra Small Terminal Blocks <PE>
Working Temperature: -40°C To 65°C
Color: ○ ●

U型加小号接线端子<聚乙烯>
工作温度：-40℃至65℃
可选颜色：○ ●

Item No.	Wire Range	Amp	Volt	mm						Screw Size	PCS/CTN
				L	W	H	E	F	Ø		
SP004-01	2.5-4.0mm ²	3A	380V	93.5	13.0	10.8	8.0	2.5	3.0	M2.5	1000
SP004-02	4.0-6.0mm ²	6A	380V	115.5	14.1	13.5	9.7	2.9	3.3	M3.0	1000
SP004-03	6.0-10.0mm ²	10A	380V	128.5	18.0	14.7	11.0	2.9	4.2	M3.0	500
SP004-04	10-12mm ²	15A	380V	136.5	19.3	17.0	11.6	3.1	4.5	M3.5	500
SP004-05	16mm ²	30A	380V	164.5	21.8	18.3	14.0	3.5	5.0	M4.0	200
SP004-06	25mm ²	60A	380V	185.5	25.7	22.4	15.8	3.5	6.6	M4.0	200
SP004-07	40mm ²	100A	380V	230.0	36.2	28.0	19.1	4.5	9.0	M5.0	100

Feed Through Terminal Blocks
Conductor: Brass
Screws: Steel, Zinc Plated

贯通式接线端子
触件：铜
螺丝：铁，镀锌



V Type Terminal Blocks <PE>
Color: ○ ●

V型接线端子<聚乙烯>
可选颜色：○ ●

Item No.	Wire Range	Amp	Volt	mm						Screw Size	PCS/CTN
				L	W	H	E	F	Ø		
SP005-01	2.5mm ²	3A	250V	93.2	17.0	13.6	8.0	2.5	3.0	M2.5	1000
SP005-02	4.0mm ²	6A	250V	114.5	18.8	15.3	10.0	2.9	3.3	M3.0	1000
SP005-03	6.0mm ²	10A	250V	128.8	20.9	16.0	11.0	2.9	4.2	M3.0	500
SP005-04	10mm ²	15A	250V	136.8	22.6	18.8	12.0	3.1	4.5	M4.0	500
SP005-05	16mm ²	30A	250V	164.5	25.5	20.2	15.0	3.5	5.0	M4.0	300
SP005-06	25mm ²	60A	250V	193.0	30.0	26.0	16.3	3.5	6.5	M4.0	200
SP005-07	35mm ²	80A	400V	202.0	35.7	30.0	17.3	3.5	8.0	M5.0	100





Feed Through Terminal Blocks

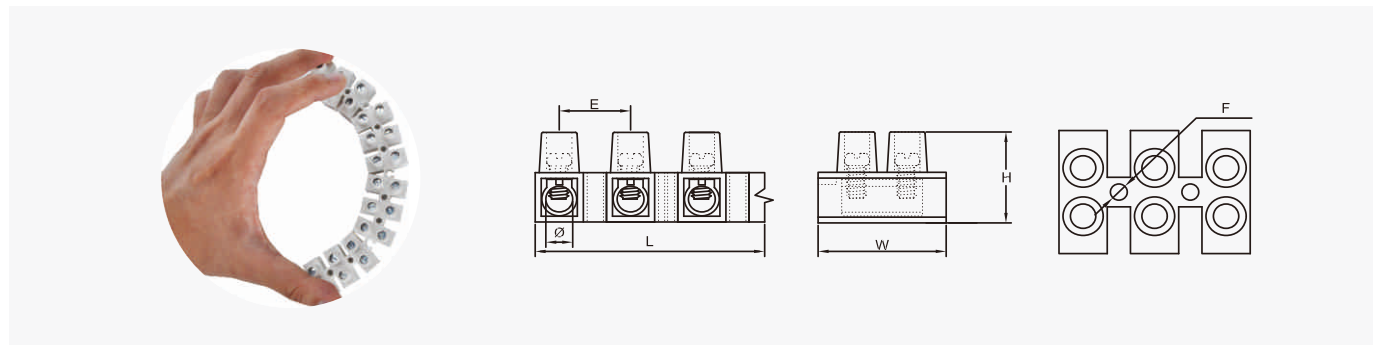
Conductor: Brass

Screws: Steel, Zinc Plated

贯通式接线端子

触件：铜

螺丝：铁，镀锌



Flexible Terminal Blocks <PA6>

Glow Wire Test:850°C

Color: ○ ●

灵活性接线端子<尼龙6>

灼热丝测试：850°C

可选颜色：○ ●

Item No.	Wire Range	Amp	Volt	L	W	H	E	F	Ø	Screw Size	PCS/CTN
				mm							
SP006-01	2.5mm ²	3A	450V	94.0	17.0	7.0	8.0	3.0	3.0	M2.5	1000
SP006-02	4.0mm ²	6A	450V	117.5	20.0	15.0	10.0	3.0	3.2	M3.0	1000
SP006-03	6.0mm ²	10A	450V	140.0	23.0	17.0	12.0	4.0	4.2	M3.5	500
SP006-04	16mm ²	30A	450V	175.7	26.0	22.0	15.0	4.0	5.5	M4.0	500

Feed Through Terminal Blocks

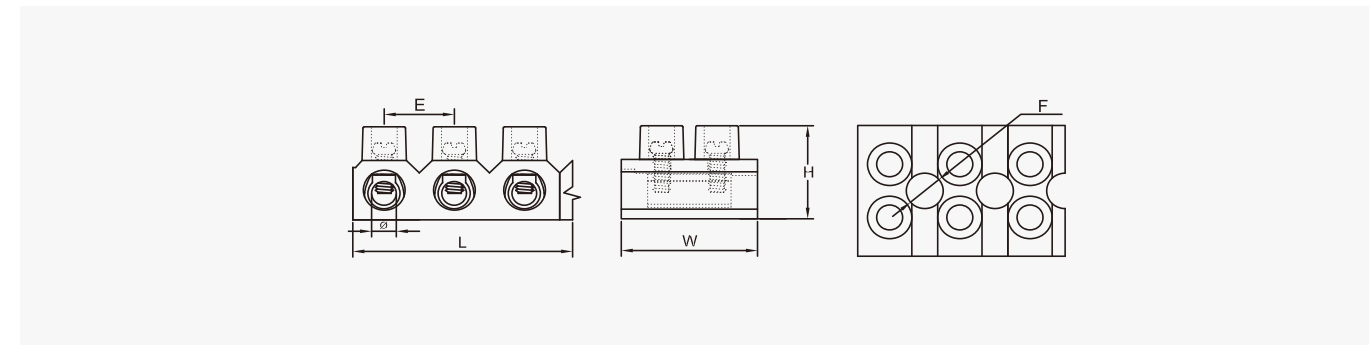
Conductor: Brass

Screws: Steel, Zinc Plated

贯通式接线端子

触件：铜

螺丝：铁，镀锌



Bakelite Terminal Blocks

Working Temperature: -35°C To 125°C

Color: ●

胶木接线端子

工作温度：-35°C至125°C

可选颜色：●

Item No.	Wire Range	Amp	Volt	L	W	H	E	F	Ø	Screw Size	PCS/CTN
				mm							
SP007-01	4.0mm ²	5A	500V	115.0	16.5	14.0	9.2	3.5	3.3	M3.0	500
SP007-02	6.0mm ²	10A	500V	126.0	20.5	16.3	10.5	3.5	4.2	M3.0	400
SP007-03	12mm ²	15A	500V	137.0	24.7	17.5	11.2	3.5	4.3	M3.5	300
SP007-04	16mm ²	30A	500V	178.0	29.5	23.4	15.0	4.2	5.5	M4.0	200
SP007-05	12mm ² /3P	15A	500V	34.25	24.7	17.5	11.2	3.5	4.3	M3.5	300



Feed Through Terminal Blocks

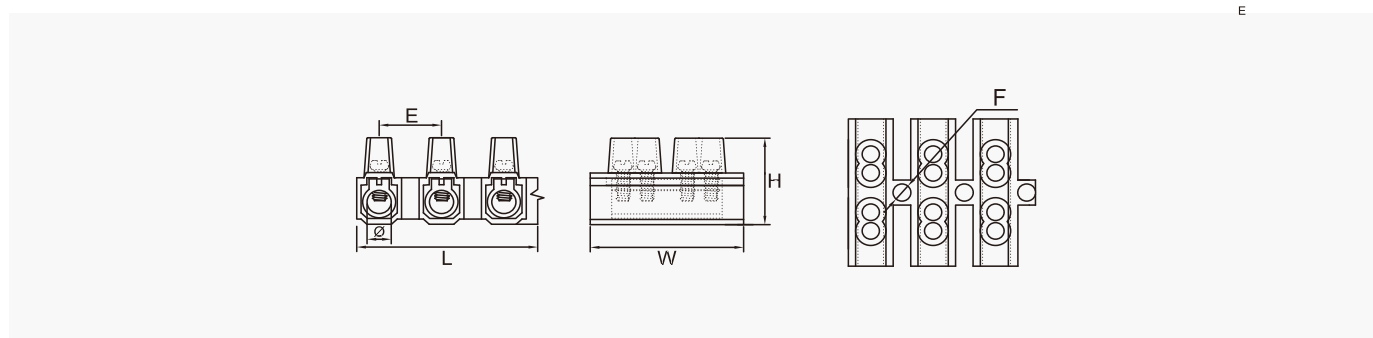
Conductor: Brass

Screws: Steel, Zinc Plated

贯通式接线端子

触件：铜

螺丝：铁，镀锌



Double Line Terminal Blocks <PE>

Working Temperature: -40°C To 65°C

Color: ●

双排接线端子<聚乙烯>

工作温度：-40°C至65°C

可选颜色：●

Item No.	Wire Range	Amp	Volt	L	W	H	E	F	Ø	Screw Size	PCS/CTN
				mm							
SP008-01	10mm ²	10A	500V	130.5	21.2	16.6	11.0	3.2	4.4	M3.5	400
SP008-02	16mm ²	30A	500V	167.0	27.0	21.0	14.0	3.6	5.7	M4.0	300
SP008-03	25mm ²	60A	500V	165.0	42.0	24.6	17.0	4.7	6.5	M4.0	180

● Also Available In PP & PC

● 也可选用聚丙烯和聚碳酸酯外壳

Feed Through Terminal Blocks

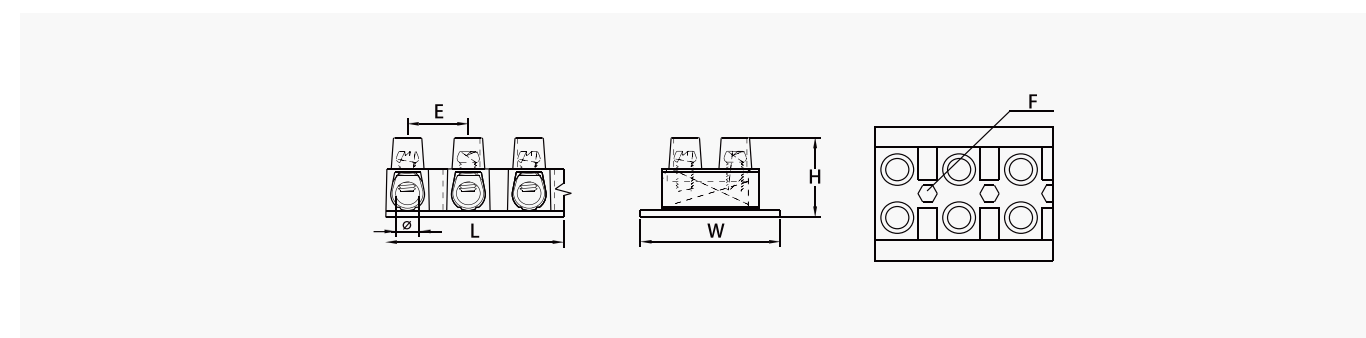
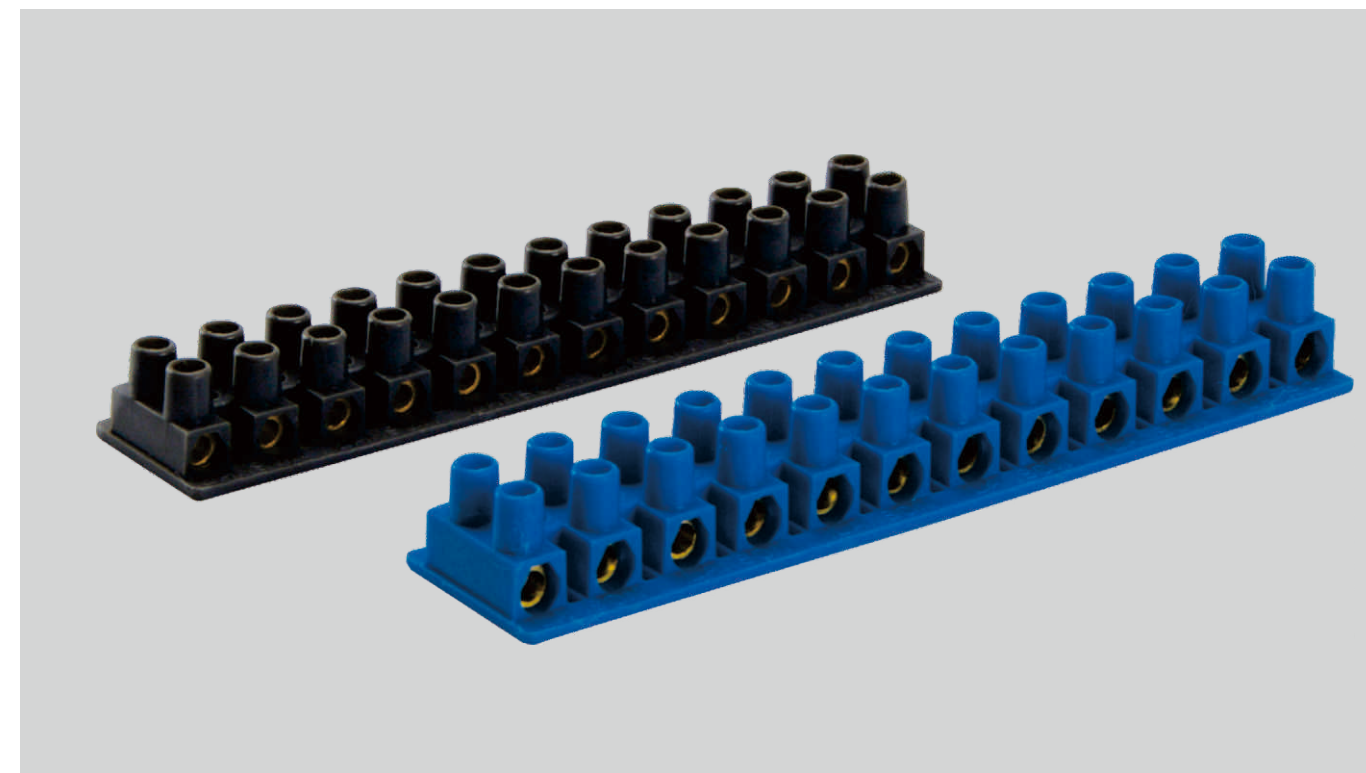
Conductor: Brass

Screws: Steel, Zinc Plated

贯通式接线端子

触件：铜

螺丝：铁，镀锌



T Side Terminal Blocks <PA66>

Glow Wire Test: 850°C

Color: ● ●

T型边接线端子<尼龙6>

灼热丝测试：850°C

可选颜色：● ●

Item No.	Wire Range	Amp	Volt	L	W	H	E	F	Ø	Screw Size	PCS/CTN
				mm							
SP009-01	4mm ²	15A	500V	117.0	24.5	14.5	9.8	2.8	3.3	M3.0	500
SP009-02	6mm ²	20A	500V	128.5	26.5	16.0	11.0	3.1	4.2	M3.0	500
SP009-03	10mm ²	30A	500V	157.0	31.4	18.7	13.5	3.3	5.5	M4.0	300



Feed Through Terminal Blocks

Conductor: Brass

Screws: Steel, Zinc Plated

贯通式接线端子

触件：铜

螺丝：铁，镀锌



Push Open–Close Fast Connector <PP>

Glow Wire Test : 850°C

Color: ○ ●

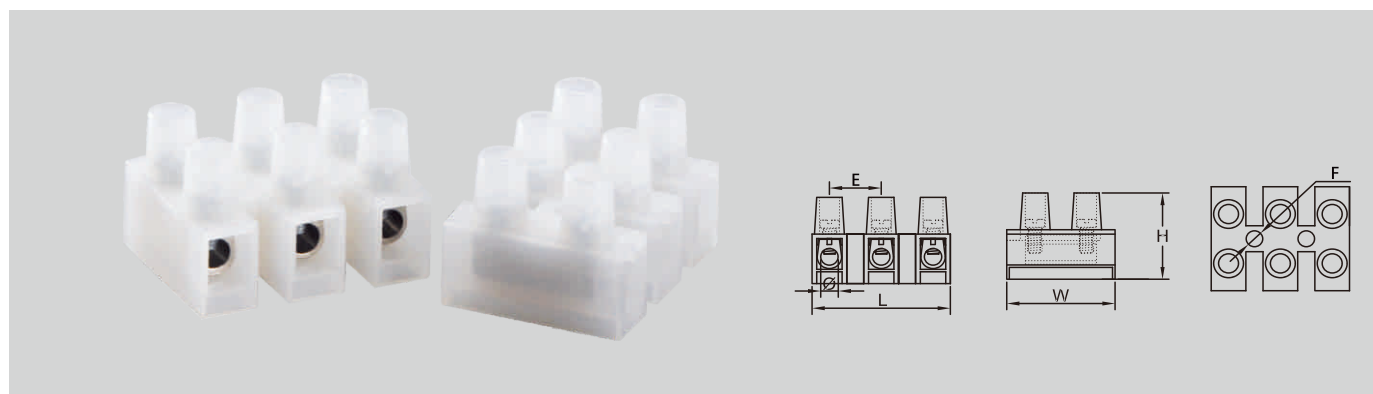
按压式快速连接端子<聚丙烯>

灼热丝测试：850°C

可选颜色：○ ●

Item No.	Wire Range	Amp	Volt	Pole	L	W	H	Ø1	Ø2	PCS/CTN
					mm					
SP017-01	≤1.5mm ²	6A	250V	2 Poles	17.0	20.0	14.0	5.5	2.9	3000
SP017-02	≤1.5mm ²	6A	250V	3 Poles	27.0	20.0	14.0	5.5	2.8	2000

● Also Available In PA66



2 & 3 Poles Terminal Blocks <PA6>

Glow Wire Test : 850°C

Color: ○

2&3位接线端子<尼龙6>

灼热丝测试：850°C

可选颜色：○

Item No.	Wire Range	Volt / Pole	L	W	H	E	F	Ø	Screw Size	PCS/CTN
			mm							
SP018-01	6.0mm ²	380/2P	17.0	21.0	17.7	10.3	3.3	3.6	M3.0	3000
SP018-02	6.0mm ²	380/3P	27.0	21.0	17.7	10.3	3.3	3.6	M3.0	2000

● Nickle Plated Brass Conductor ● 铜触件镀镍

Feed Through Terminal Blocks

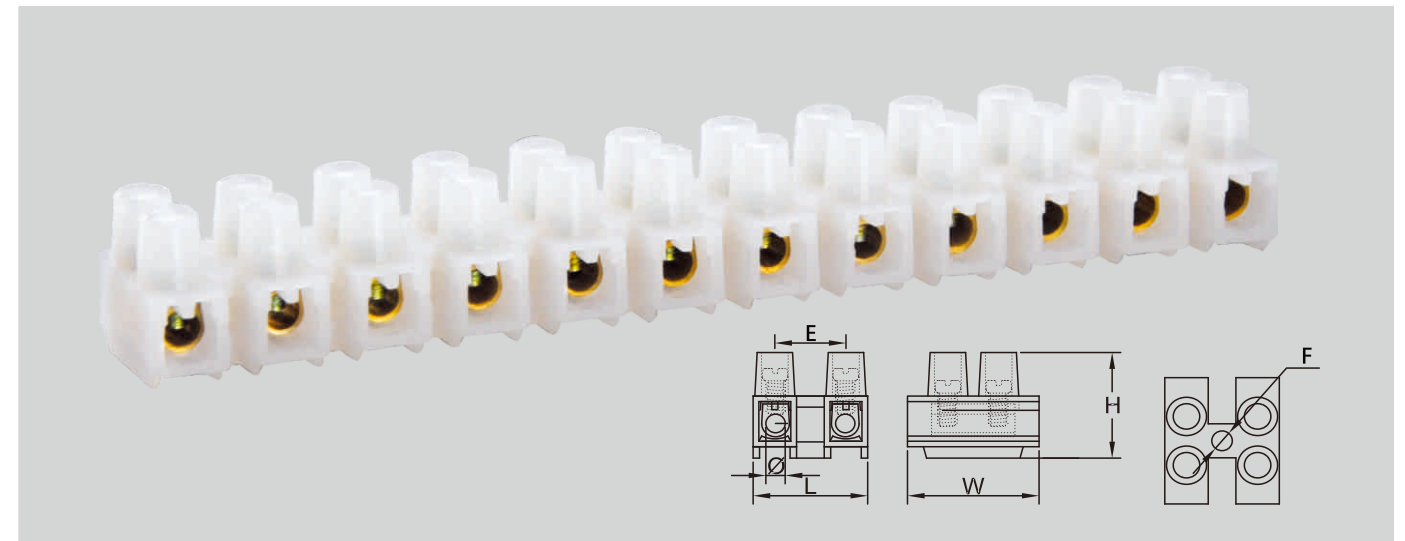
Conductor: Brass

Screws: Steel, Zinc Plated

贯通式接线端子

触件：铜

螺丝：铁，镀锌



High Base Terminal Blocks<PA6>

Glow Wire Test : 850°C

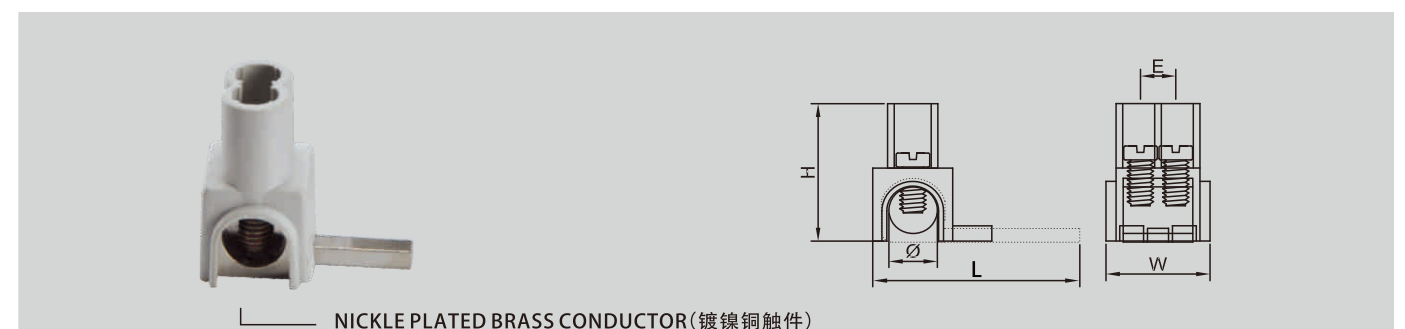
Color: ○

高底接线端子 <尼龙6>

灼热丝测试：850°C

可选颜色：○

Item No.	Wire Range	Volt / Pole	L	W	H	E	F	Ø	Screw Size	PCS/CTN
			mm							
SP019-01	6.0mm ²	380V/2P	17.0	21.0	16.0	10.2	3.0	3.3	M3.0	3000
SP019-02	6.0mm ²	380V/12P	117.3	19.0	16.6	9.8	3.0	3.3	M3.0	1000



French Type Connector <PA66>

Glow Wire Test : 850°C

Color: ●

法式连接头 <尼龙66>

灼热丝测试：850°C

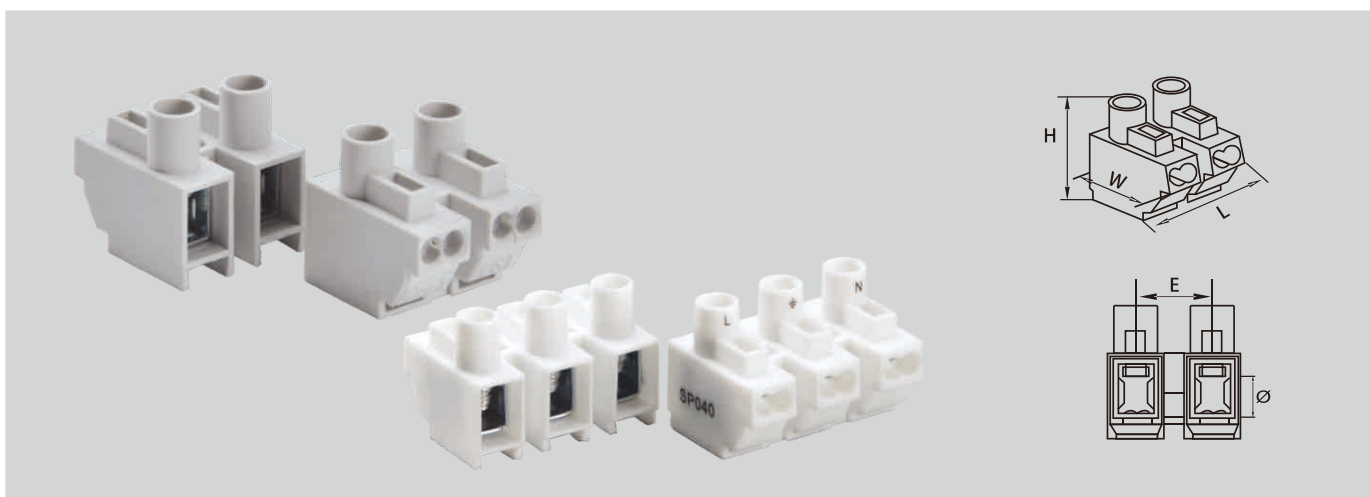
可选颜色：●

Item No.	Wire Range	Volt	Size	L	W	H	E	Ø	Screw Size	PCS/CTN
				mm						
SP020-01	6mm ²	380V	Long	37.1	18.6	25.7	6.5	8.5	M5.0	1250
SP020-02	6mm ²	380V	Short	28.2	18.6	25.7	6.5	8.5	M5.0	1250



Ballast Terminal Blocks
Conductor: Steel
Screws: Steel, Zinc Plated

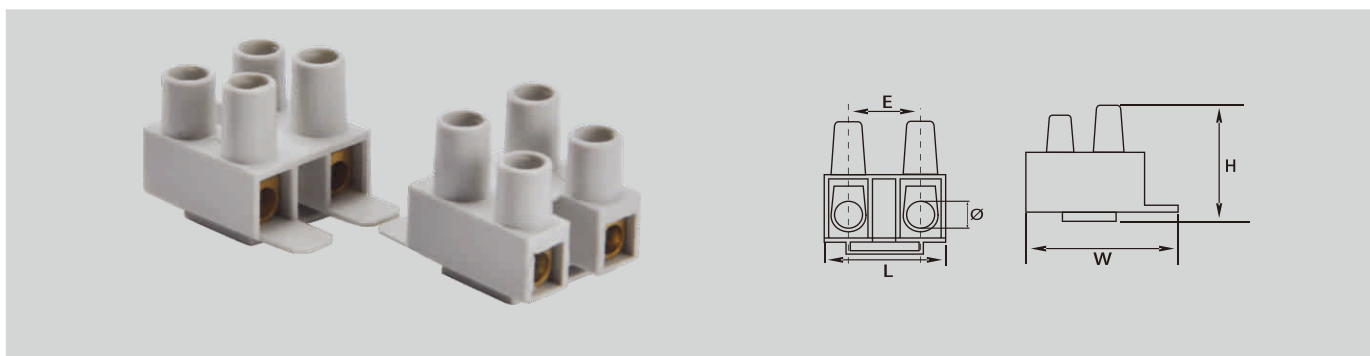
镇流器接线端子
触件: 铁
螺丝: 铁, 镀锌



2&3 Poles Steel Ballast Connector <PA66>
Glow Wire Test : 850°C
Color: ○ ●

2&3位铁芯 镇流器接线端子<尼龙66>
灼热丝测试 : 850°C
可选颜色: ○ ●

Item No.	Wire Range	Volt	L	W	H	E	Ø	Screw Size	PCS/CTN
SP021-01	6.0mm ²	380V	17.3	19.3	19.0	10.0	4.5	M3.5	3000
SP021-02	6.0mm ²	380V	27.2	19.3	19.0	10.0	4.5	M3.5	2000
SP021-02	6.0mm ²	380V	27.2	19.3	19.0	10.0	4.5	M3.0	2000



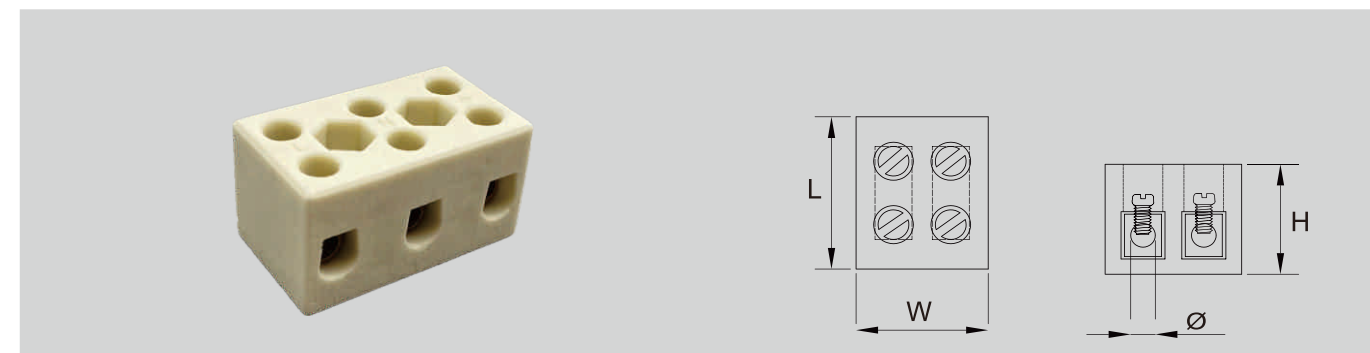
2 Poles Brass Ballast Connector <PA66>
Glow Wire Test : 850°C
Color: ○

2位铜芯 镇流器接线端子<尼龙66>
灼热丝测试 : 850°C
可选颜色: ○

Item No.	Wire Range	Volt	L	W	H	E	Ø	Screw Size	PCS/CTN
SP022-01	2.5mm ²	380V	16.7	23.4	18.0	10.0	3.0	M3.0	2000

High Temperature Environment Connector
Conductor: Brass or Nickel-plated brass
Screws: Steel, Zinc Plated

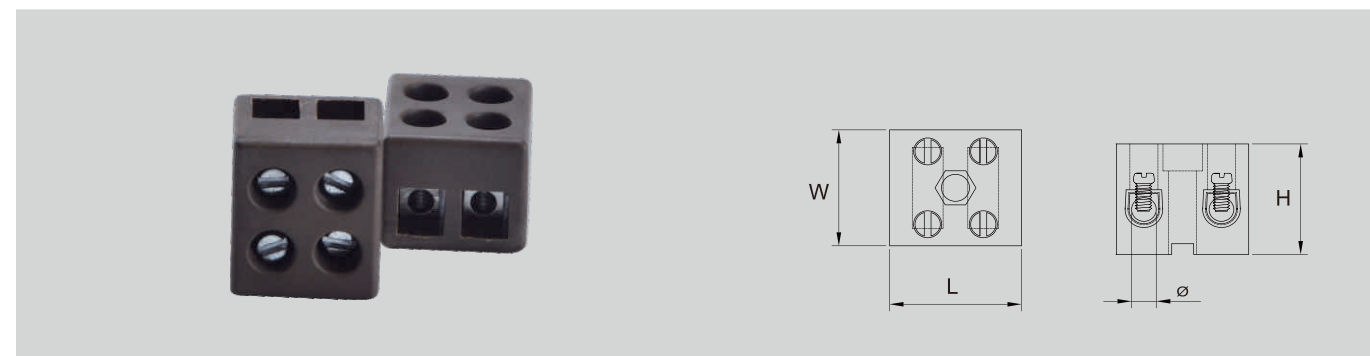
高温环境接线端子
触件: 铜或铜镀镍
螺丝: 铁, 镀锌



Steatite Ceramic Connector
Working Temperature: -40°C To 425°C
Color: ○

位高频瓷接线端子
工作温度: -40°C 至 425°C
可选颜色: ○

Item No.	Wire Range	Amp	Volt	L	W	H	Ø	Screw Size	PCS/CTN
SP023-01/2P	1.5-6 mm ²	20A	450V	21	18	15	4.2	M3.0	2000
SP023-02/3P	1.5-6 mm ²	20A	450V	33	18	15	4.2	M3.0	2000
SP023-03/2P	2.5-10mm ²	32A	450V	24	22	21	4.5	M3.5	2000
SP023-04/3P	2.5-10mm ²	32A	450V	38	22	21	4.5	M3.5	2000
SP023-05/2P	2.5-10mm ²	57A	450V	34	30	23	6.3	M4.0	2000
SP023-06/3P	2.5-10mm ²	57A	450V	53	30	23	6.3	M4.0	2000



2 Poles Connector <PPS>
Working Temperature: -40°C To 300°C
Color: ●

2位接线端子<聚苯硫醚>
工作温度: -40°C 至 300°C
可选颜色: ●

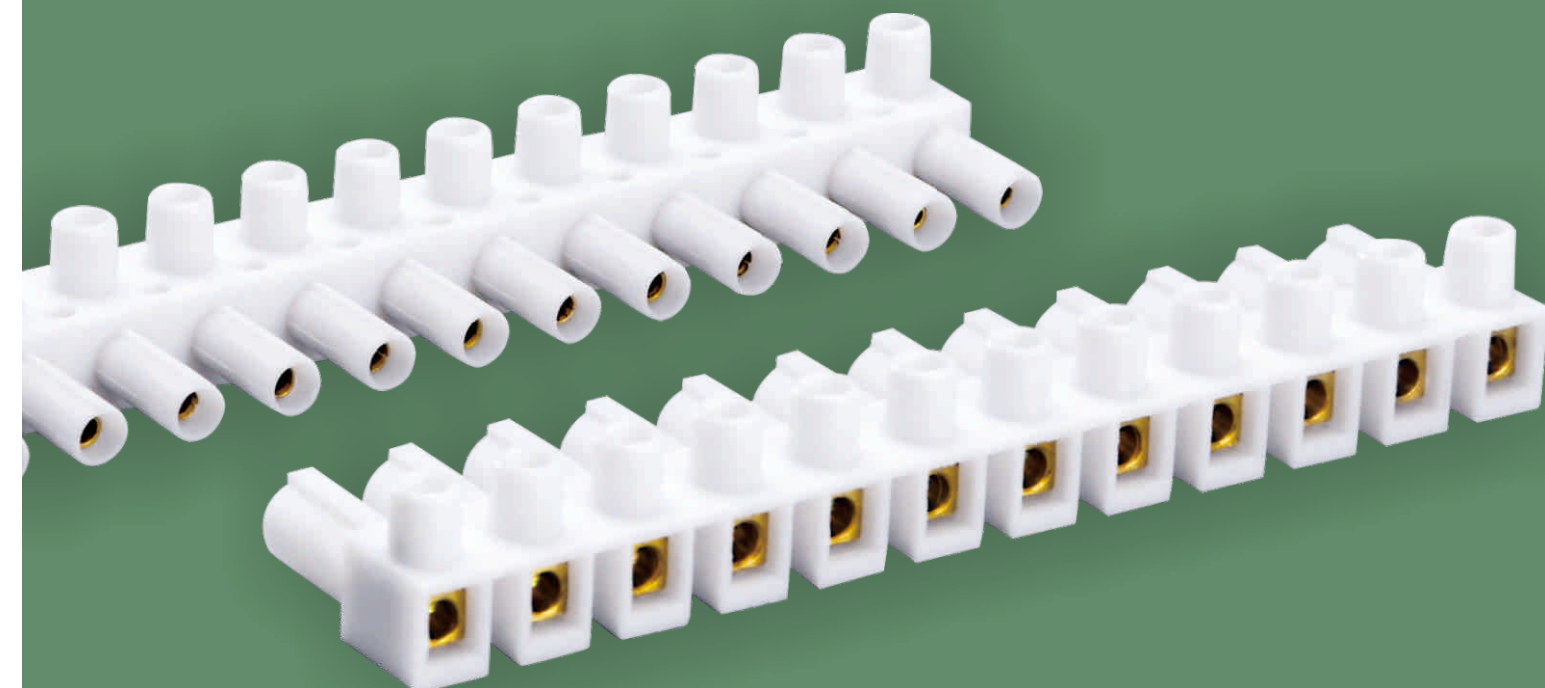
Item No.	Wire Range	Amp	Volt	L	W	H	Ø	Screw Size	PCS/CTN
SP024-01	2.5-4.0mm ²	3A	380V	18	15.5	13	3.0	M2.5	2000



02

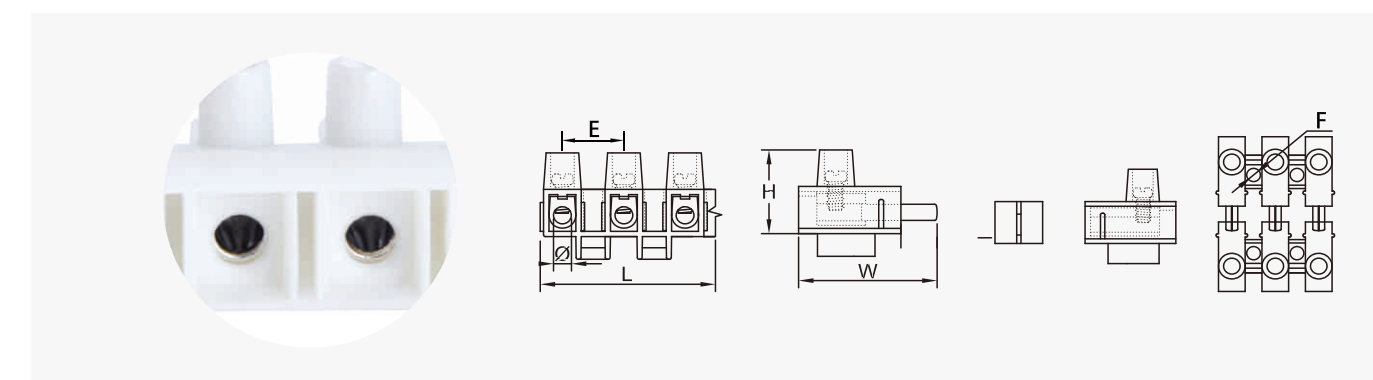
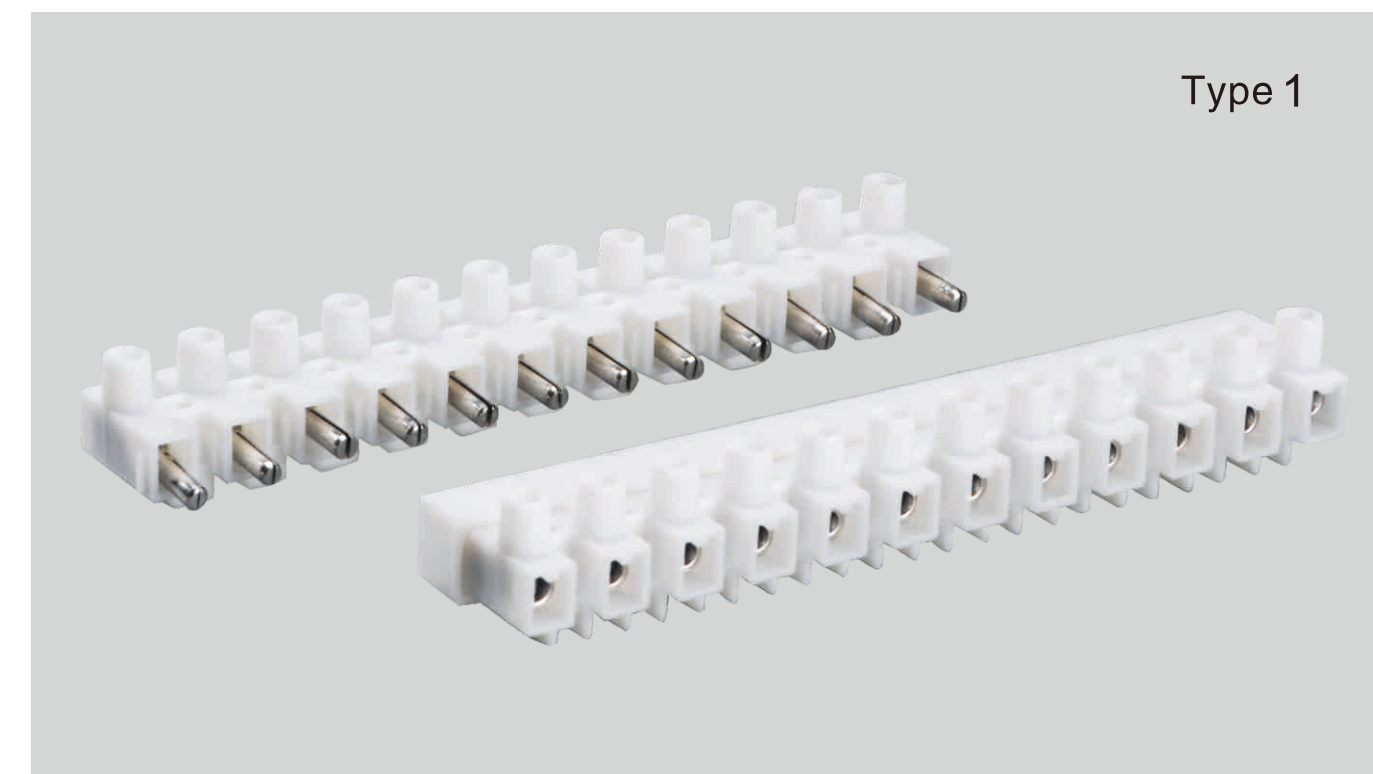
MALE&FEMALE TERMINAL BLOCKS

公母接线端子



Plug-in Connector Strips
 Conductor: Brass
 Screws: Steel, Zinc Plated

公母型接线端子
 触件: 铜
 螺丝: 铁, 镀锌



Plug-in Connector Strips (Type 1) <PA6>
 Glow Wire Test: 850°C
 Color: ○

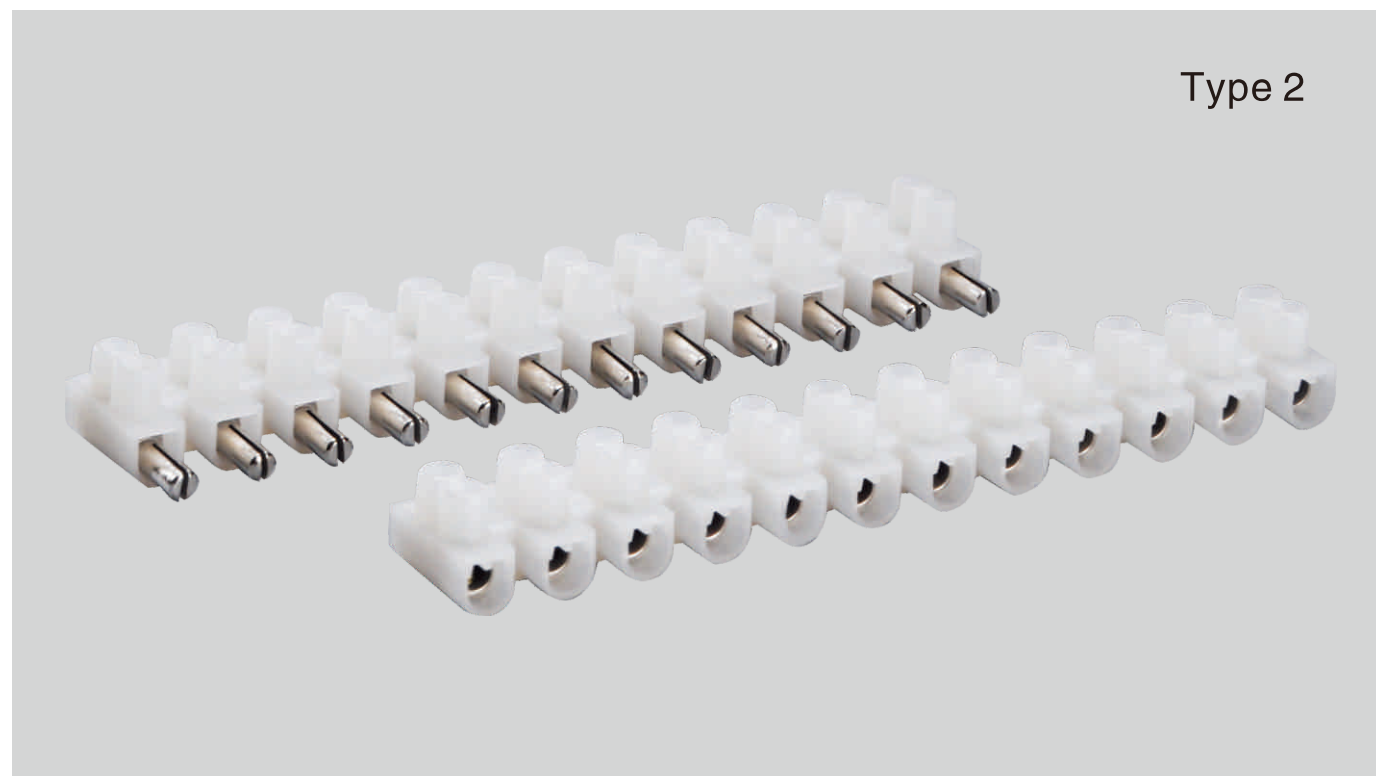
公母型接线端子(类型1)<尼龙6>
 灼热丝测试: 850°C
 可选颜色: ○

Item No.	Wire Range	Amp	Volt	L	W	H	E	F	Ø	Screw Size	PCS/CTN
				mm							
SP010-01	10mm ²	10A	380V	119.0	36.0	6.5	10.0	3.0	3.2	M3.0	300

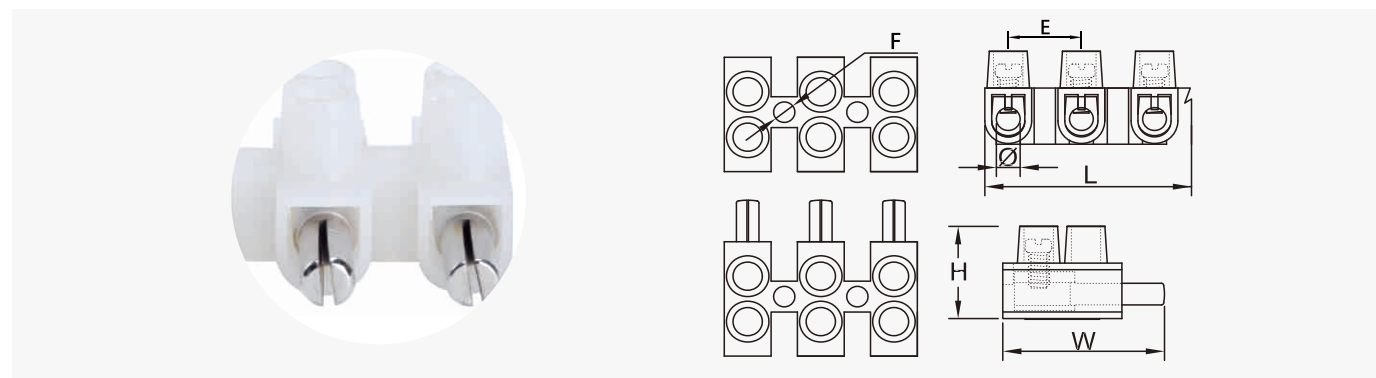


Plug-in Connector Strips
Conductor: Brass
Screws: Steel, Zinc Plated

公母型接线端子
触件：铜
螺丝：铁，镀锌



Type 2



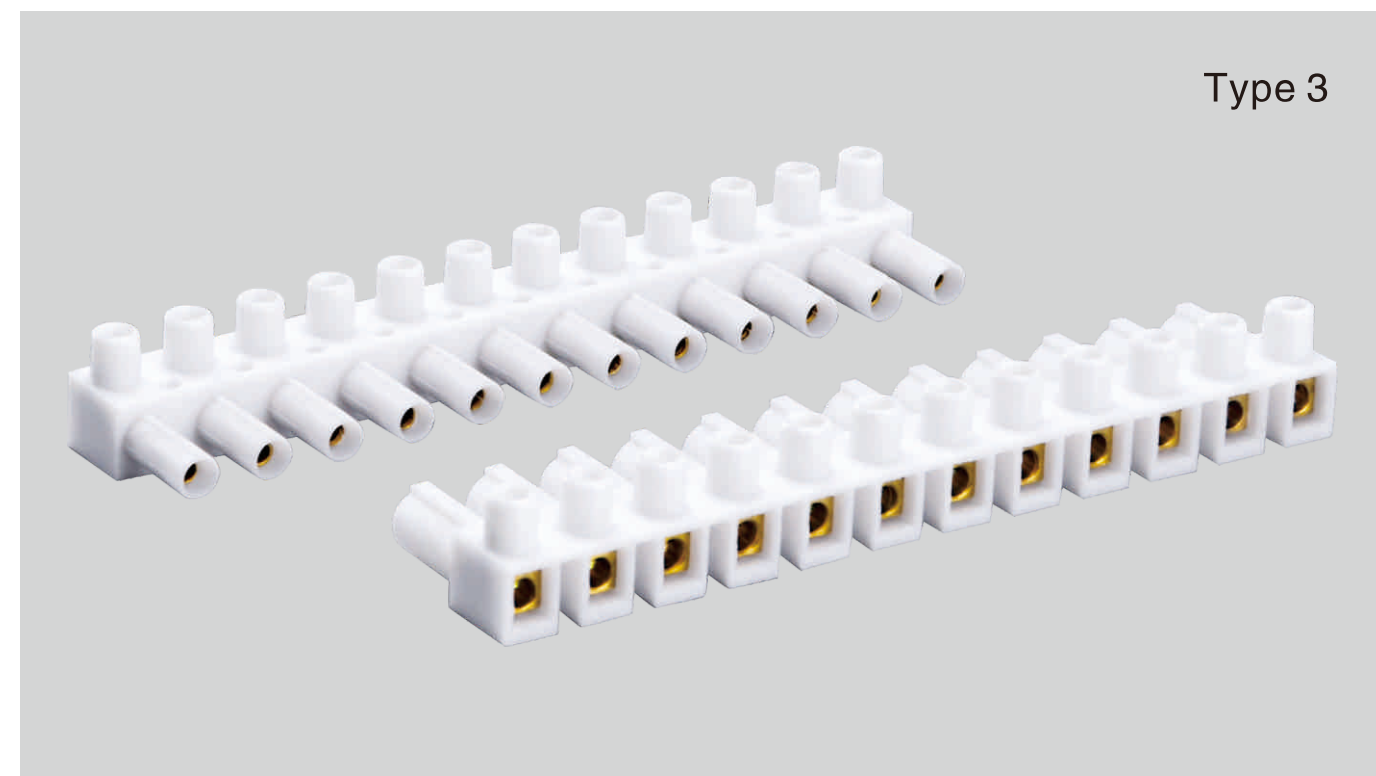
Plug-in Connector Strips (Type 2)<PA6>
Glow Wire Test: 850°C
Color: ○

公母型接线端子(类型2)<尼龙6>
灼热丝测试：850°C
可选颜色：○

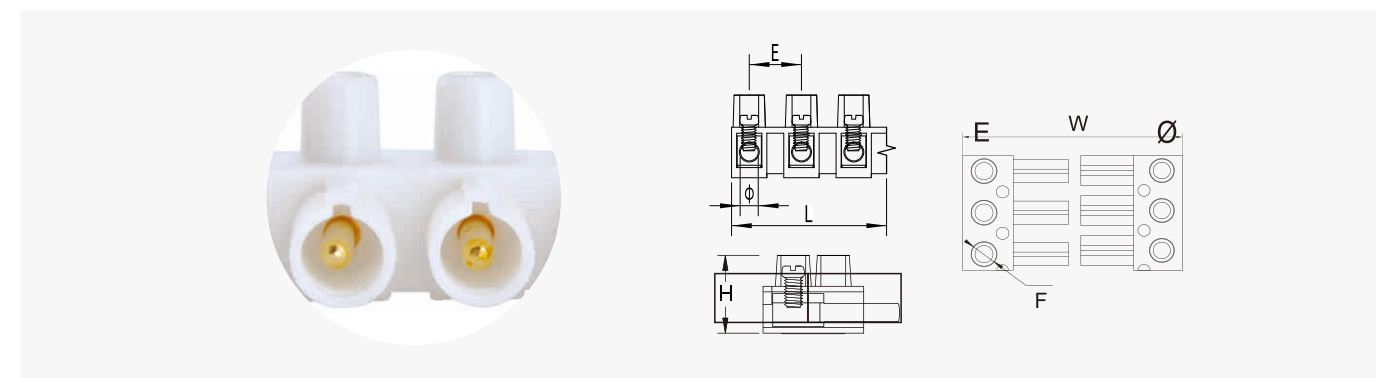
Item No.	Wire Range	Amp	Volt	mm						Screw Size	PCS/CTN
				L	W	H	E	F	Ø		
SP011-01	4.0mm ²	3A	380V	93.5	32.0	11.0	8.0	2.5	2.8	M2.5	500
SP011-02	6.0mm ²	6A	380V	115.0	32.0	13.0	10.0	3.0	3.2	M3.0	500
SP011-03	10mm ²	10A	380V	132.0	36.8	15.0	11.0	2.9	4.2	M3.0	250
SP011-04	12mm ²	16A	380V	140.5	40.0	17.0	12.0	3.0	4.4	M3.5	250

Plug-in Connector Strips
Conductor: Brass
Screws: Steel, Zinc Plated

公母型接线端子
触件：铜
螺丝：铁，镀锌



Type 3



Plug-in Connector Strips (Type 3)<PA6>
Glow Wire Test: 850°C
Color: ○

公母型接线端子(类型3)<尼龙6>
灼热丝测试：850°C
可选颜色：○

Item No.	Wire Range	Amp	Volt	mm						Screw Size	PCS/CTN
				L	W	H	E	F	Ø		
SP011-10	2.5mm ² -4.0mm ²	10A	450V	120.5	37.3	16.7	10.3	3.0	3.3	M3.0	240



03

ONE SIDE ENTRY SCREWS CONNECTOR

单边进线接线端子

One – Side Entry Terminal Blocks

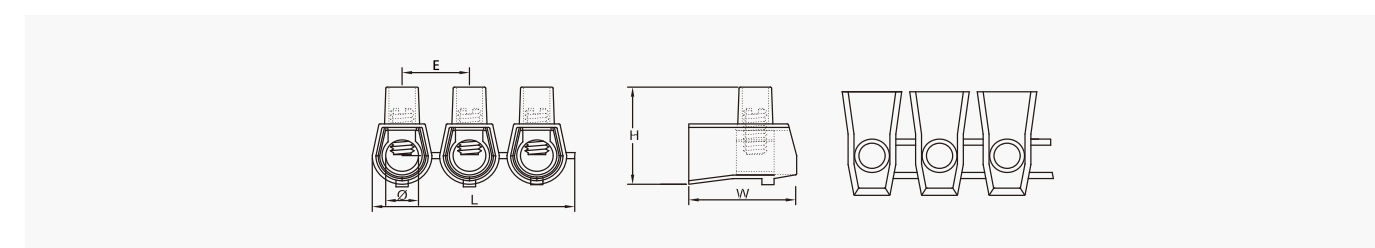
Conductor: Brass

Screws: Steel, Zinc Plated

单向开口接线端子

触件：铜

螺丝：铁，镀锌



5 × 1 & 10 × 1

One – Side Entry Terminal Blocks <PC>

Working Temperature: -35°C To 120°C

Color: Transparent

*Excellent Visibility

5 × 1 & 10 × 1

单进线接线端子<聚碳酸酯>

工作温度：-35°C 至 120°C

可选颜色：透明

*可见度高

Item No.	Wire Range	Volt	Poles	L	W	H	E	Ø	Screw Size	PCS/CTN
SP013-01	1.5mm ²	500V	10	92	15.3	15.5	9.3	3.3	M3.0	1000
SP013-02	2.5mm ²	500V	10	100	17.5	17.3	10.1	4.0	M3.5	1000
SP013-03	4.0mm ²	500V	10	118	20	18.7	11.95	4.2	M3.5	1000
SP013-04	6.0mm ²	500V	10	137.9	22.8	22.8	14	6.2	M4.0	1000
SP013-05	10mm ²	500V	10	167	26.8	26.6	16.9	7.7	M5.0	500
SP013-06	16mm ²	500V	10	221	30.9	33.5	22.3	10	M8.0	300
SP013-07	25mm ²	500V	10	243	38.3	41.6	24.5	12	M10.0	100

● Pre-cutting service is available upon request.

● 可按要求剪成需要的位数



Single & Double Screws Connector

Conductor: Brass

Screws: Steel, Zinc Plated

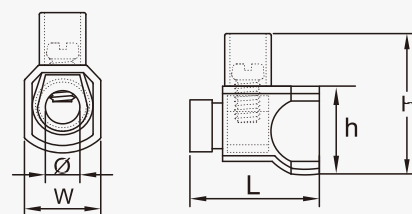
单&双螺丝接头

触件：铜

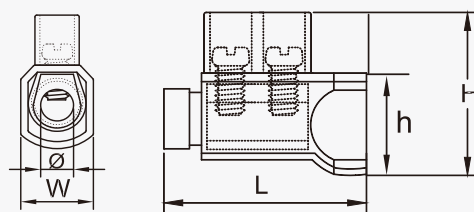
螺丝：铁，镀锌



SP014



SP015



Single & Double Screws Connector<PC>

Working Temperature: -35°C To 120°C

Color: Transparent ○ ● ● ● ●

单&双粒螺丝接线端子<聚碳酸酯>

工作温度：-35°C 至 120°C

可选颜色：透明 ○ ● ● ● ●

Item No.	Wire Range	Amp	Volt	mm					Screw Size	PCS/BAGS /CTN	PCS/JARS /CTN
				L	W	H	h	Ø			
SP014-01	2×6mm ²	32A	450V	20.0	12.0	22.5	14.0	5.7	M4.0	5000	2500
SP015-01	2×6mm ²	32A	450V	27.0	12.0	22.5	14.0	5.7	M4.0	2000	1250

● Available with PP housing material, Brass plated steel screws. ● 也可选用聚丙烯外壳、镀铜铁螺丝

* Screw Type : Philips or Square

* 螺丝类型：十字螺丝或方形

Double Screws Connector

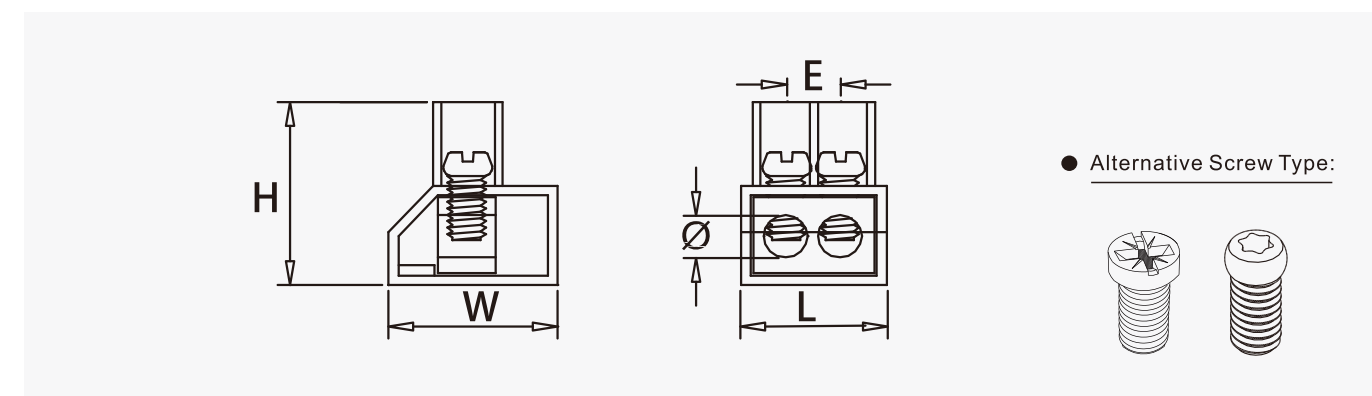
Conductor: Brass

Screws: Steel, Zinc Plated

双螺丝接头

触件：铜

螺丝：铁，镀锌



2 Poles Screw Connector <PC>

Working Temperature:-35°C To 120°C

Color: Transparent

Tin Plated Brass Conductor

2位接线端子<聚碳酸酯>

工作温度：-35°C 至 120°C

可选颜色：透明

铜触件镀锡

Item No.	Wire Range	Volt / Pole	mm					Screw Size	PCS/BAGS /CTN	Screw Type
			L	W	H	E	Ø			
SP016-01	10mm ²	400V/2P	14.6	17.0	19.1	5.5	4.5	M4.0	2000	Posidriv
SP016-02	10mm ²	400V/2P	14.6	17.0	19.1	5.5	4.5	M4.0	2000	Torx



Brass Bar Connector

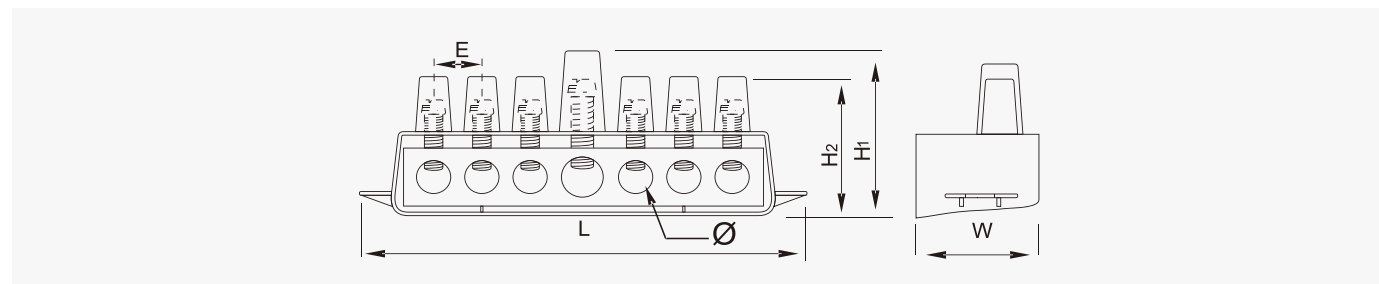
Conductor: Brass

Screws: Steel, Zinc Plated

铜排接线端子

触件：铜

螺丝：铁，镀锌



Insulative Brass Bar <PC>

Working Temperature: -35°C To 120°C

Color: Transparent

绝缘铜排接线端子<聚碳酸酯>

工作温度：-35°C 至 120°C

可选颜色：透明

Item No.	Spec	L	H1	H2	W	E	Ø	Screw Size	PCS/CTN
	hole qty×dia								
SP036-01	4×16 ²	53.6	21.0	21.0	22.5	9.0	5.1	M5.0	100
SP036-02	1×25 ² +6×16 ²	84.5	24.2	24.2	25.5	9.0	6.0	M5.0	80
SP036-03	1×15 ² +6×35 ²	109.0	42.0	33.8	34.2	12.6	8.3	M8.0	50



UNIPOLAR TERMINAL BLOCKS

单极接线端子

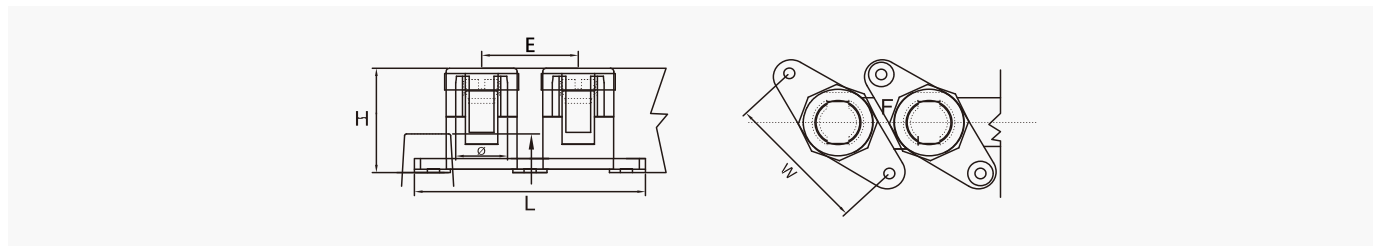


8 Poles Unipolar Terminal Blocks

Conductor: Brass
Screws: Brass

8位接线端子

触件: 铜
螺丝: 铜



8 × 1 Terminal Blocks <PA66>

Working Temperature: -30°C To 110°C

Color: ○ ● ● ●

8 × 1 接线端子 <尼龙66>

工作温度: -30°C 至 110°C

可选颜色: ○ ● ● ●

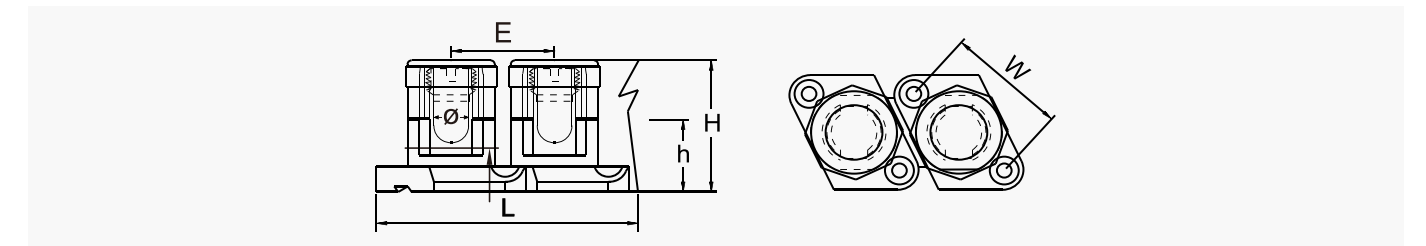
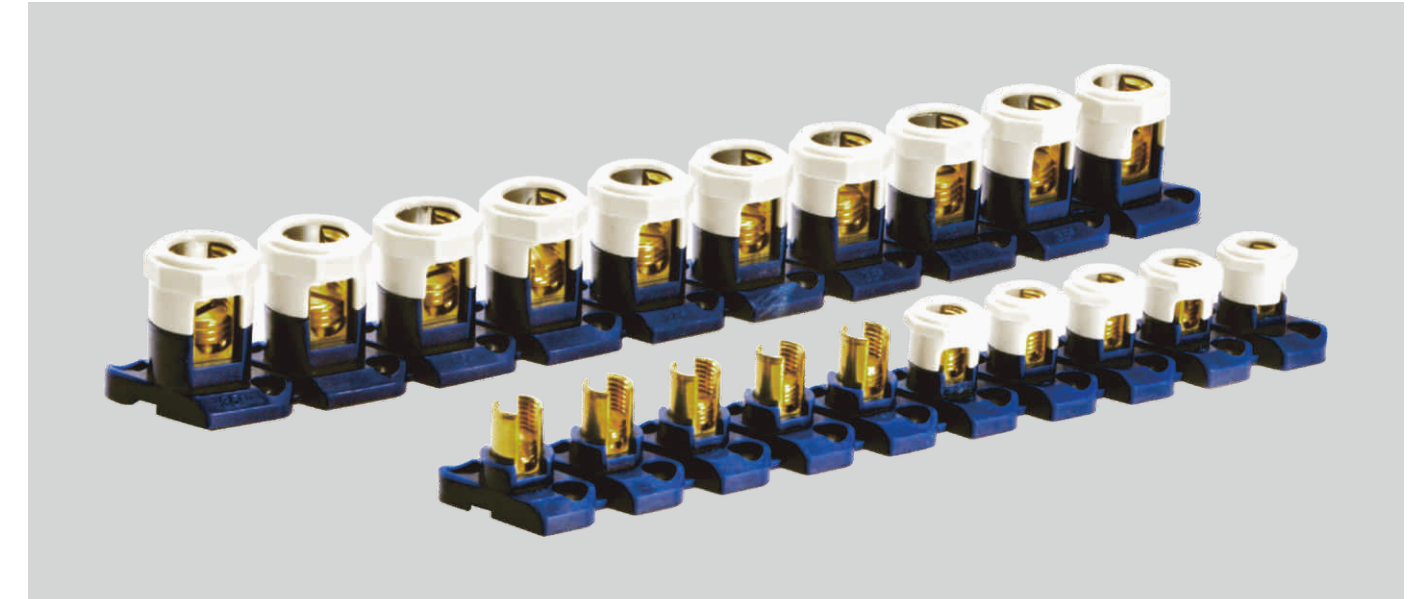
Item No.	Wire Range	Volt	Blocks	L	W	H	E	∅	Screw Size	PCS/CTN
				mm						
SP012-01	16mm ²	450V	8	173.0	26.4	24.0	21.0	5	M8.0	200
SP012-02	25mm ²	450V	8	206.0	31.0	27.5	25.0	6	M9.0	100
SP012-03	35mm ²	450V	8	250.0	41.5	33.0	30.0	8	M12.0	80
SP012-04	50mm ²	450V	8	260.0	41.5	35.5	31.5	8.5	M14.0	50
SP012-05	70mm ²	450V	8	272.0	42.0	38.0	33.0	9	M14.0	50

10 Poles Unipolar Terminal Blocks

Conductor: Brass
Screws: Brass

10位接线端子

触件: 铜
螺丝: 铜



10 × 1 Terminal Blocks <PA66>

Working Temperature: -30°C To 110°C

Color: ○ ● ● ●

10 × 1 接线端子 <尼龙66>

工作温度: -30°C 至 110°C

可选颜色: ○ ● ● ●

Item No.	Wire Range	Volt	Blocks	L	W	H	E	∅	Screw Size	PCS/CTN
				mm						
SP012-20	6mm ²	450V	10	162.0	20.3	21.0	15.5	3	M5.0	400
SP012-21	10mm ²	450V	10	198.5	22.0	23.7	19.5	4	M8.0	160
SP012-22	16mm ²	450V	10	211.0	23.5	26.0	20.5	5	M9.0	140
SP012-23	25mm ²	450V	10	222.0	25.0	29.2	21.3	7	M10.0	120
SP012-24	35mm ²	450V	10	260.0	28.5	33.5	25.0	8	M12.0	80



05

JUNCTION CONNECTOR

接合接线端子

Junction Connector
 Conductor: Brass
 Screws: Brass, Brass Plated

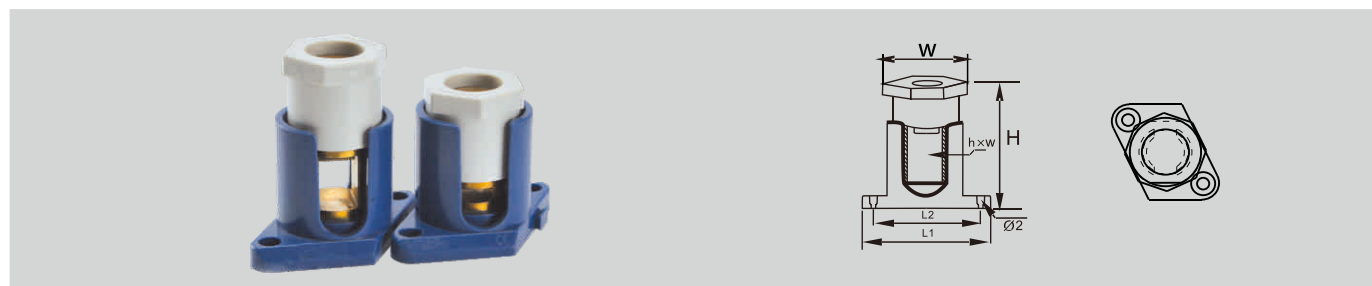
接合接线端子
 触件: 铜
 螺丝: 铜, 镀铜



1 x 1 Junction Connector <PA66>
 Working Temperature: -40°C To 110°C
 Color: ● ○ ●

1 x 1 连接器<尼龙66>
 工作温度: -40°C 至 110°C
 可选颜色: ● ○ ●

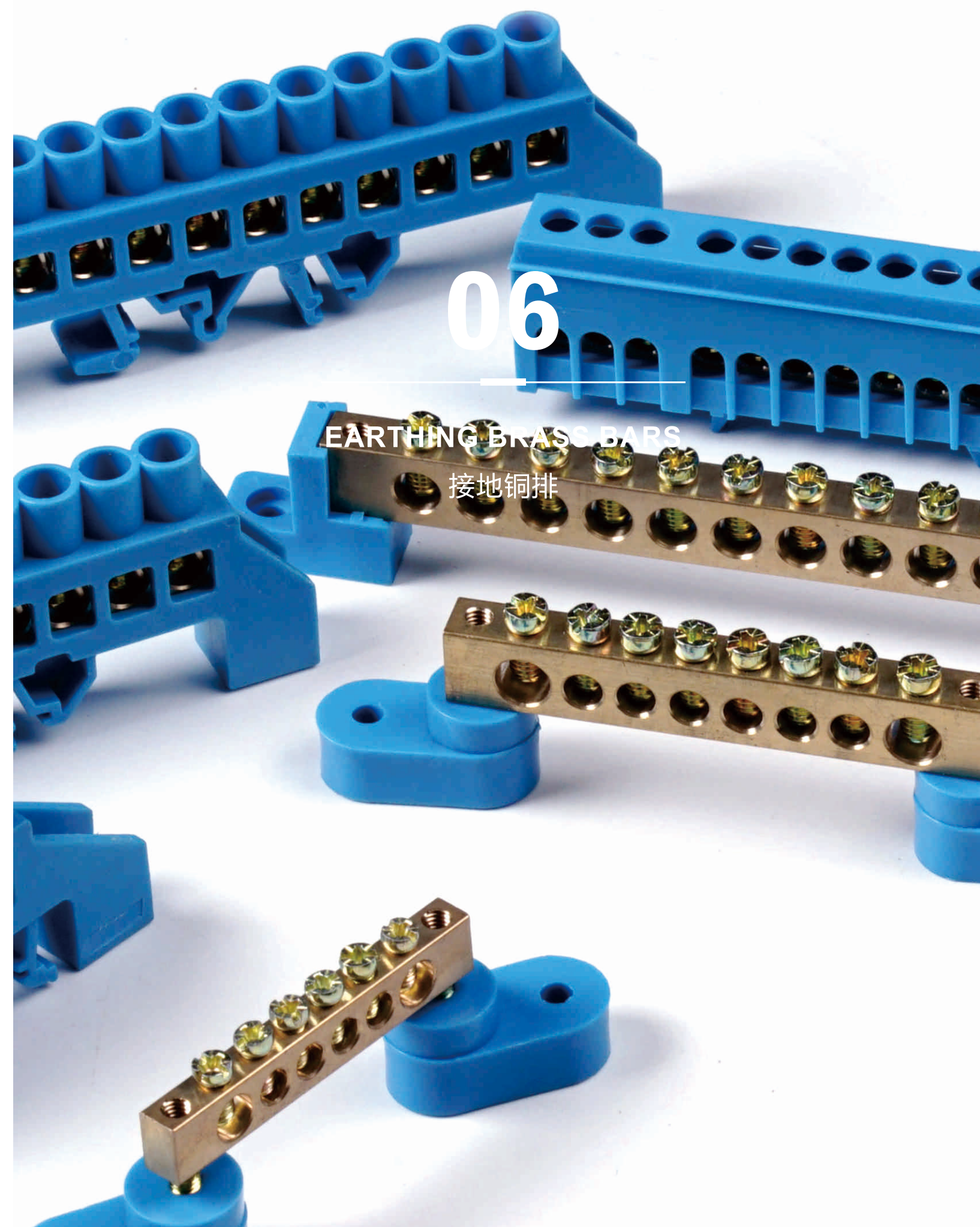
Item No.	Wire Range	Volt	L1	L2	W	H	h x w	Ø2	Screw Size	PCS/CTN
			mm							
SP026-01	16mm ²	380V	41.0	31.5	17.0	32.0	14.5 x 4.8	4.3	M8	1000
SP026-02	25mm ²	380V	47.2	37.5	20.8	37.7	17 x 6.8	4.3	M10	600
SP026-03	35mm ²	380V	54.8	44.5	24.4	42.4	19 x 8.4	4.3	M12	500
SP026-04	50mm ²	380V	65.0	54.0	27.0	48.5	22 x 9.3	5.0	M14	300
SP026-05	70mm ²	380V	66.8	56.0	29.0	52.5	25 x 10.5	5.0	M16	200
SP026-06	95mm ²	380V	71.0	60.0	33.5	56.7	29 x 12.6	5.0	M18	160
SP026-07	120mm ²	380V	73.4	62.0	35.8	61.0	33 x 13.8	5.0	M20	120



1 x 1 Junction Connector <PA66>
 Working Temperature: -40°C To 110°C
 Color: ○ ● ●

1 x 1 连接器<尼龙66>
 工作温度: -40°C 至 110°C
 可选颜色: ○ ● ●

Item No.	Wire Range	Volt	L1	L2	W	H	h x w	Ø2	PCS/CTN
			mm						
SP027-01	50mm ²	500V	49.0	33.0	31.5	60.0	20 x 10	3.0	300
SP027-02	70mm ²	500V	50.0	42.0	37.8	70.0	25 x 12	3.0	300
SP027-03	100mm ²	500V	70.0	56.0	44.8	83.0	26 x 14.5	4.5	100
SP027-04	160mm ²	500V	105.0	82.0	64.4	110.0	33 x 20	4.5	30

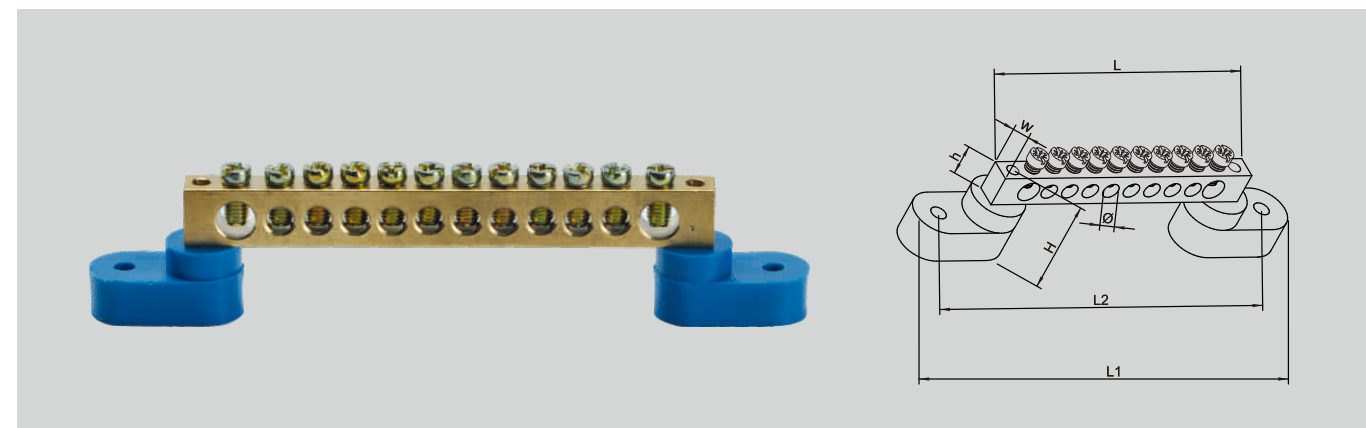


06

EARTHING BRASS BARS
接地铜排

Brass Bars
Conductor: Brass
Screws: Steel, Zinc Plated

铜排接线端子
触件：铜
螺丝：铁，镀锌



Brass Bar With 1 or 2 Round Holders
<PA>
Color: ● ● ●

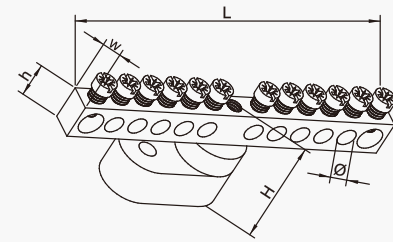
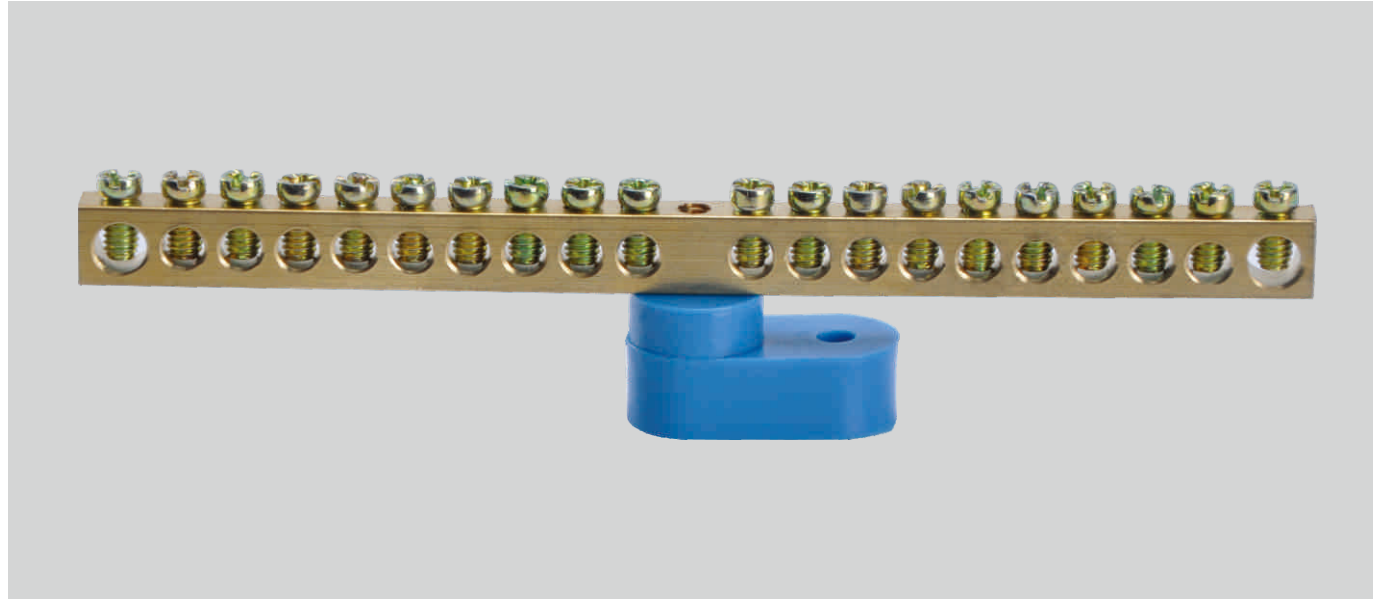
铜排带1或2圆形支架
<增强尼龙>
可选颜色：● ● ●

Item No.	Brass w×h	Holes	L	L1	L2	H	Ø	Screw Size	PCS/CTN
	mm								
SP028-01	6×9	4-2	37.2	73.5	61.4	24.3	4.5	M4.0	1000
SP028-02	6×9	6-2	49.6	86.0	74.0	24.3	4.5	M4.0	1000
SP028-03	6×9	8-2	62.0	98.0	86.5	24.3	4.5	M4.0	500
SP028-04	6×9	10-2	74.4	110.5	99.0	24.3	4.5	M4.0	500
SP028-05	6×9	12-2	86.8	123.0	111.5	24.3	4.5	M4.0	500
SP028-06	6×9	14-2	105.5	143.5	130.5	24.3	4.5	M4.0	500
SP028-07	6×9	20-2	139.0	176.5	163.4	24.3	4.5	M4.0	200
SP028-08	6×9	24-2	164.7	201.5	188.0	24.3	4.5	M4.0	200
SP028-09	8×12	4-2	45.0	81.9	68.6	27.0	5.3	M5.0	500
SP028-10	8×12	6-2	59.4	103.7	90.4	27.0	5.3	M5.0	500
SP028-11	8×12	8-2	73.8	110.7	97.4	27.0	5.3	M5.0	500
SP028-12	8×12	10-2	88.4	125.0	111.7	27.0	5.3	M5.0	500
SP028-13	8×12	12-2	102.3	139.5	126.0	27.0	5.3	M5.0	500
SP028-14	8×12	14-2	117.0	153.6	140.2	27.0	5.3	M5.0	500
SP028-18	8×12	16-2	131.4	168.3	155.0	27.0	5.3	M5.0	300
SP028-19	8×12	18-2	145.8	182.7	169.4	27.0	5.3	M5.0	300
SP028-20	8×12	20-2	160.2	197.1	183.8	27.0	5.3	M5.0	200
SP028-21	8×12	22-2	174.6	211.5	198.2	27.0	5.3	M5.0	200
SP028-22	8×12	24-2	189.0	225.9	212.6	27.0	5.3	M5.0	200



Brass Bars
Conductor: Brass
Screws: Steel, Zinc Plated

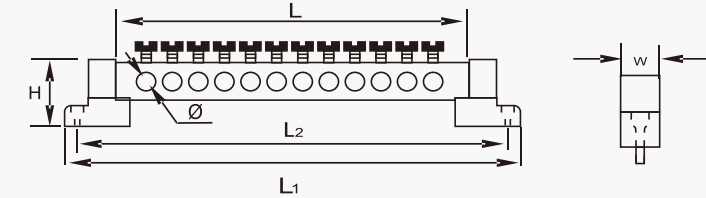
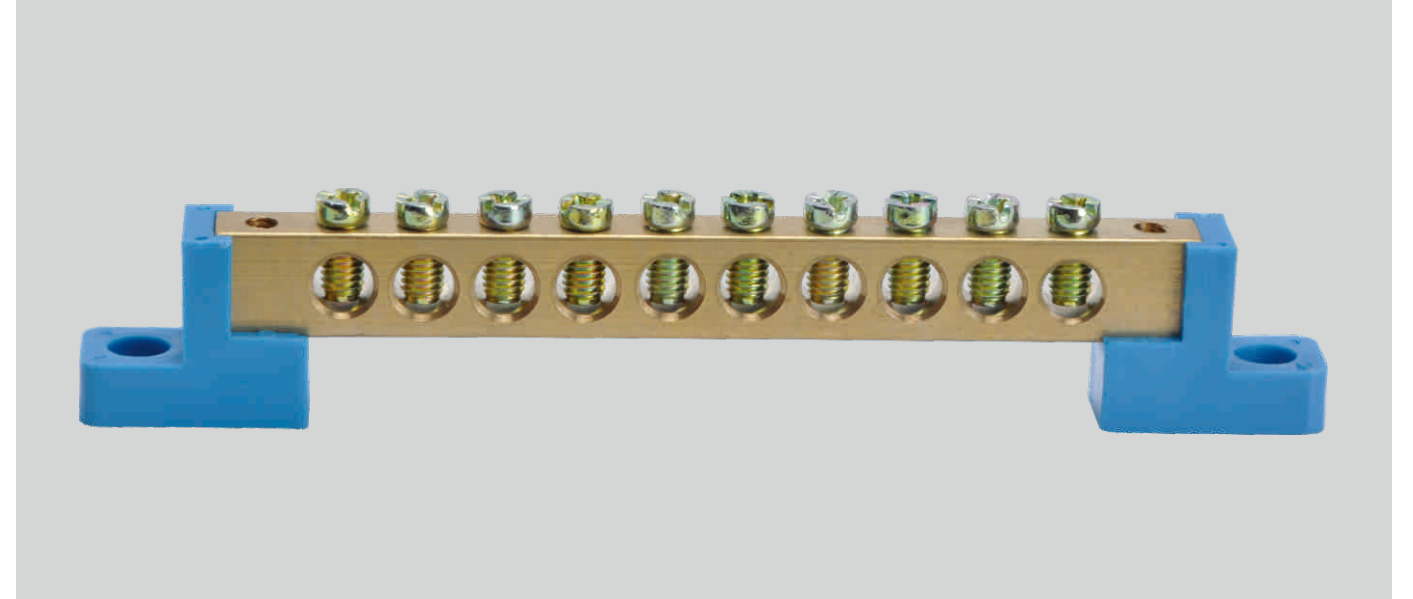
铜排接线端子
触件：铜
螺丝：铁，镀锌



Item No.	Brass w×h	Holes	L	H	Ø	Screw Size	PCS/CTN
	mm		mm				
SP028-23	6×9	4-1	33.0	24.3	4.5	M4.0	500
SP028-24	6×9	6-1	45.0	24.3	4.5	M4.0	500
SP028-25	6×9	8-1	57.8	24.3	4.5	M4.0	500
SP028-26	6×9	10-1	70.5	24.3	4.5	M4.0	500
SP028-27	6×9	12-1	82.5	24.3	4.5	M4.0	500
SP028-28	6×9	14-1	94.8	24.3	4.5	M4.0	500
SP028-29	6×9	16-1	109.7	24.3	4.5	M4.0	200
SP028-30	6×9	18-1	122.1	24.3	4.5	M4.0	200
SP028-31	6×9	20-1	131.6	24.3	4.5	M4.0	300
SP028-32	6×9	22-1	146.9	24.3	4.5	M4.0	300
SP028-33	6×9	24-1	157.6	24.3	4.5	M4.0	200

Brass Bars
Conductor: Brass
Screws: Steel, Zinc Plated

铜排接线端子
触件：铜
螺丝：铁，镀锌



Brass Bar With 1 or 2 Square Holders
<PA>
Color: ● ● ●

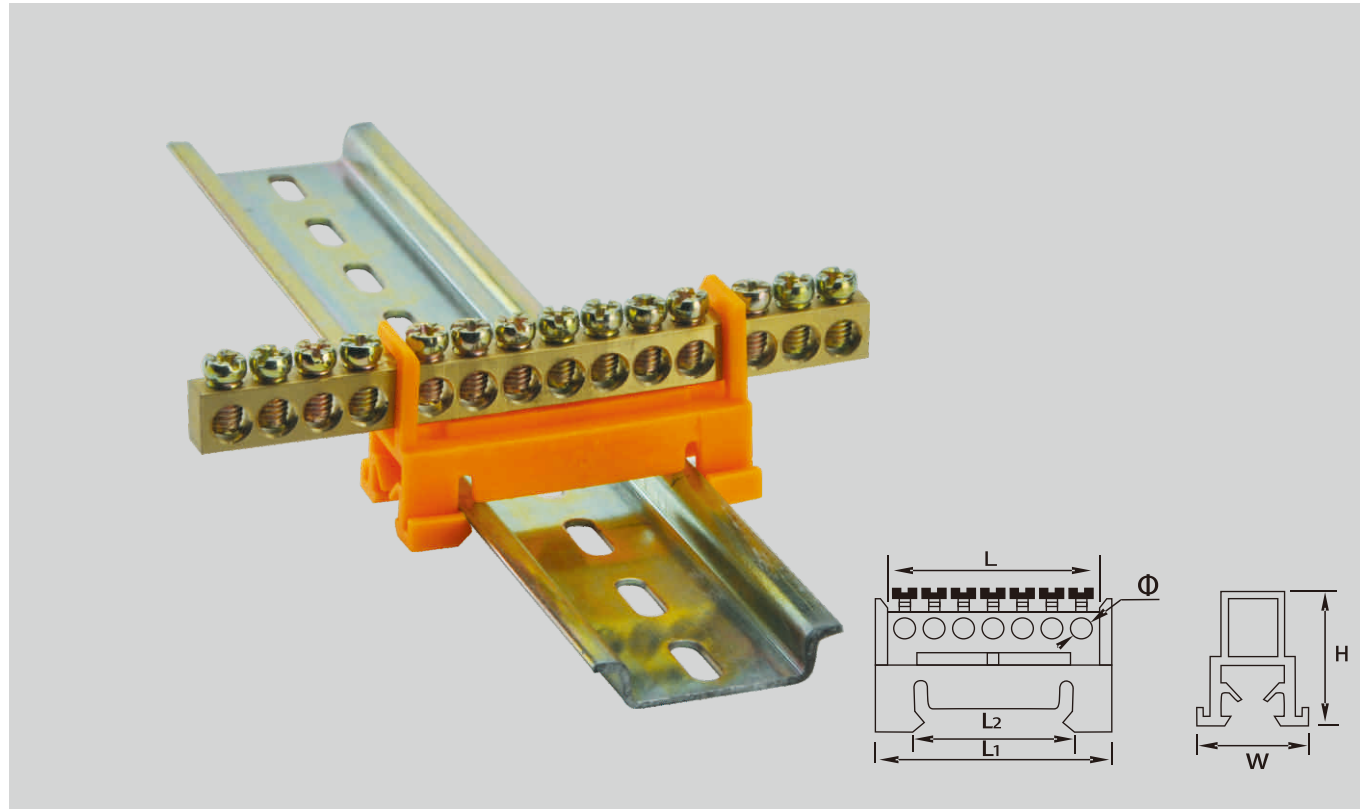
铜排带1或2方形支架
<增强尼龙>
可选颜色：● ● ●

Item No.	Brass w×h	Holes	L	L1	L2	H	W	Ø	Screw Size	PCS/CTN
	mm		mm							
SP029-01	8×12	4	54.0	83.0	70.5	21.5	12.0	6.5	M5.0	500
SP029-02	8×12	6	72.0	101.0	88.5	21.5	12.0	6.5	M5.0	400
SP029-03	8×12	8	90.0	119.0	106.5	21.5	12.0	6.5	M5.0	300
SP029-04	8×12	10	108.0	137.0	124.5	21.5	12.0	6.5	M5.0	300
SP029-05	8×12	12	126.0	155.0	142.5	21.5	12.0	6.5	M5.0	250



Brass Bar With Din Rail Holders
Conductor: Brass
Screws: Steel, Zinc Plated

导轨支架铜排接线端子
触件：铜
螺丝：铁，镀锌



Earthing Connection With Din Rail Holder
<PA>
Color: ● ● ● ●

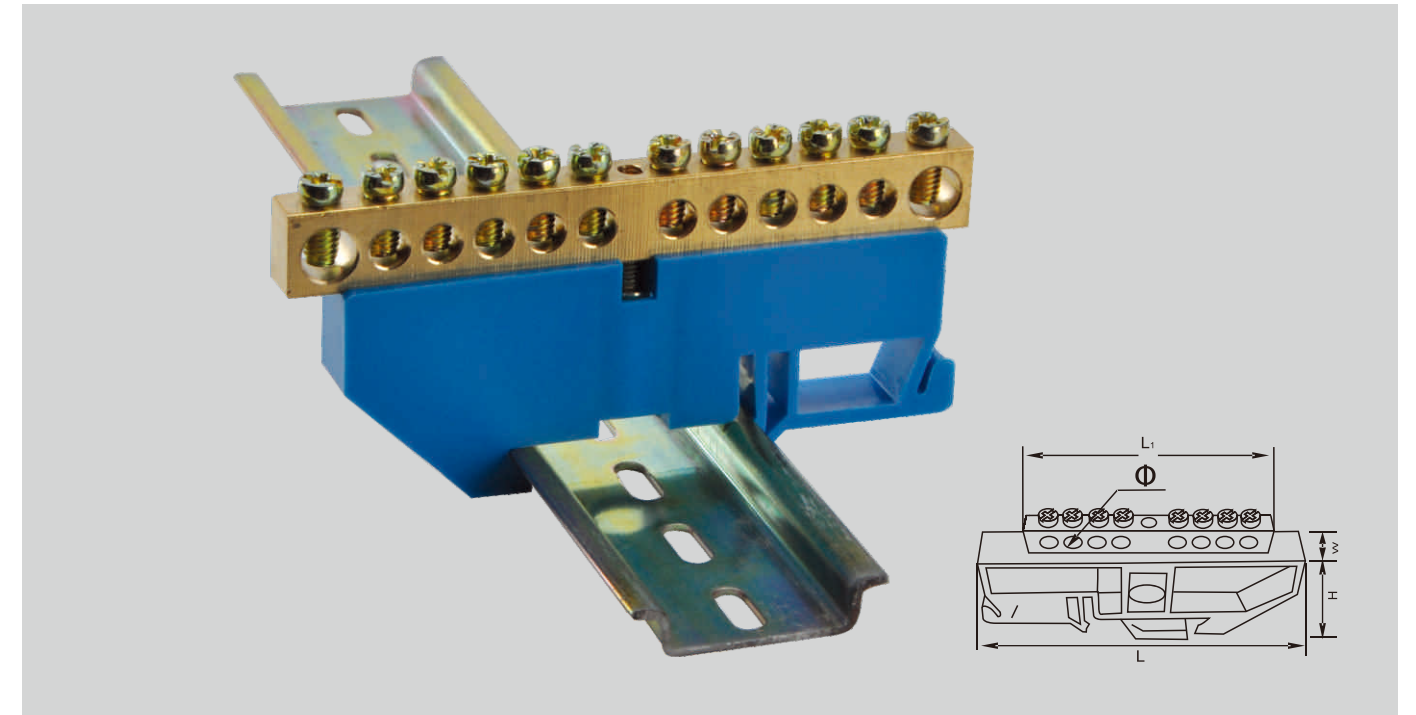
导轨支架铜排地线接线端子
<增强尼龙>
可选颜色：● ● ● ●

Item No.	Brass w×h	Holes	L	L1	L2	H	W	Ø	Screw Size	PCS/CTN
	mm									
SP030-01	6×9	7	51.0	51.0	35.0	28.0	21.0	5.2	M5.0	700
SP030-02	6×9	8	60.0	51.0	35.0	28.0	21.0	5.2	M5.0	700
SP030-03	6×9	10	72.5	51.0	35.0	28.0	21.0	5.2	M5.0	400
SP030-04	6×9	12	85.0	51.0	35.0	28.0	21.0	5.2	M5.0	400
SP030-05	6×9	15	104.5	51.0	35.0	28.0	21.0	5.2	M5.0	250

● Din Rail Holders Are Also Available In PA & PE

Brass Bar With Din Rail Holders
Conductor: Brass
Screws: Steel, Zinc Plated

导轨支架铜排接线端子
触件：铜
螺丝：铁，镀锌



Earthing Connection With Din Rail Holder
<PA> <PE>
Color: ● ● ●

导轨支架铜排地线接线端子
<增强尼龙>或PE
可选颜色：● ● ●

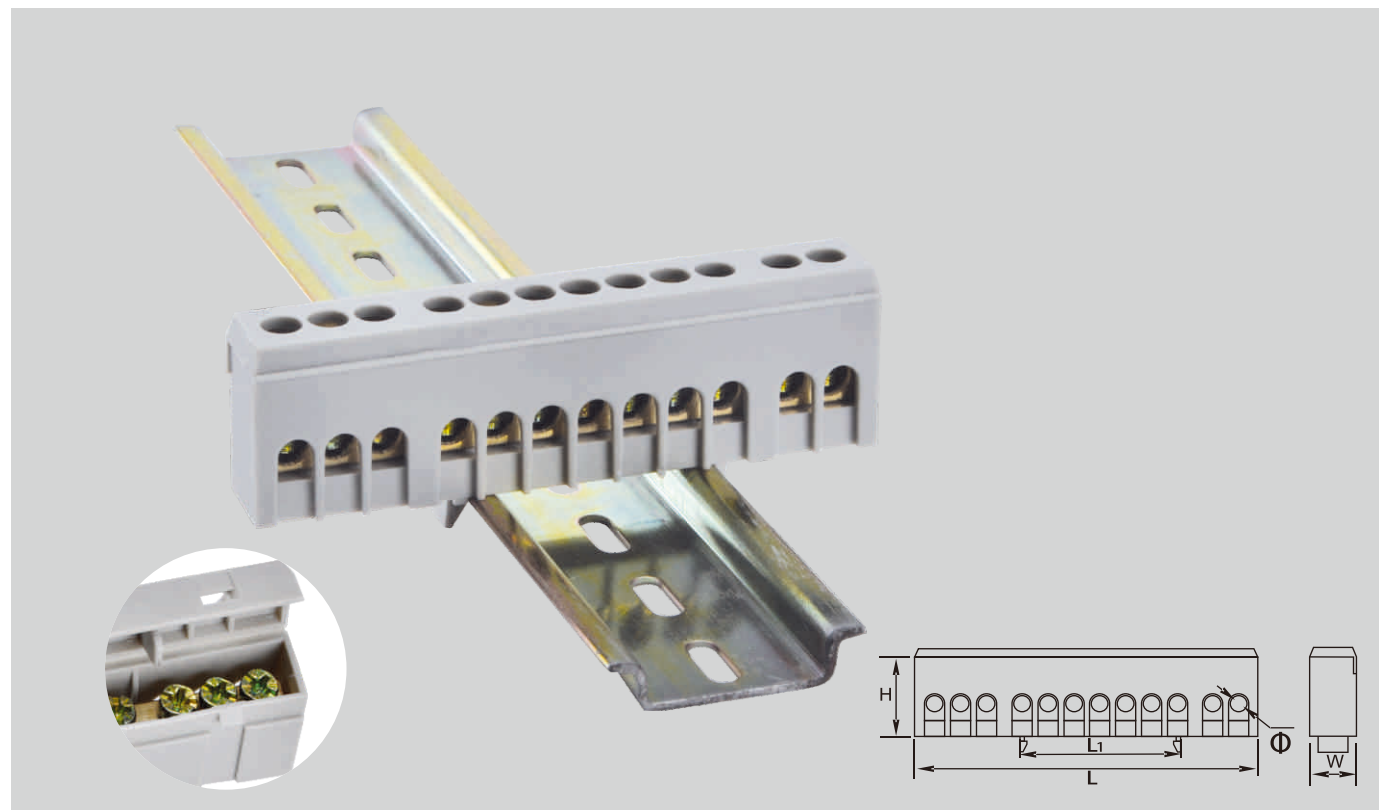
Item No.	Brass w×h	Holes	L	L1	H	W	Ø	Screw Size	PCS/CTN
	mm								
SP031-01	6×9	4	86.0	31.6	43.0	11.5	4.5	M4.0	500
SP031-02	6×9	6	86.0	44.0	43.0	11.5	4.5	M4.0	500
SP031-03	6×9	8	86.0	56.4	43.0	11.5	4.5	M4.0	500
SP031-04	6×9	10	86.0	68.8	43.0	11.5	4.5	M4.0	500
SP031-05	6×9	12	86.0	81.2	43.0	11.5	4.5	M4.0	500
SP031-06	6×9	14	86.0	93.6	43.0	11.5	4.5	M4.0	500
SP031-07	6×9	16	86.0	106.0	43.0	11.5	4.5	M4.0	400
SP031-08	6×9	18	86.0	118.4	43.0	11.5	4.5	M4.0	400
SP031-09	6×9	20	86.0	130.8	43.0	11.5	4.5	M4.0	400
SP031-10	6×9	22	86.0	143.2	43.0	11.5	4.5	M4.0	300
SP031-11	6×9	24	86.0	155.6	43.0	11.5	4.5	M4.0	200
SP031-12	8×12	6	86.0	53.0	43.0	11.5	5.3	M5.0	500
SP031-13	8×12	8	86.0	67.6	43.0	11.5	5.3	M5.0	500
SP031-14	8×12	10	86.0	82.2	43.0	11.5	5.3	M5.0	500
SP031-15	8×12	12	86.0	96.8	43.0	11.5	5.3	M5.0	500
SP031-16	8×12	14	86.0	111.4	43.0	11.5	5.3	M5.0	300

● Din Rail Holders Are Also Available In PA & PE



Brass Bar With Din Rail
Conductor: Brass
Screws: Steel, Zinc Plated

导轨支架铜排接线端子
触件: 铜
螺丝: 铁, 镀锌



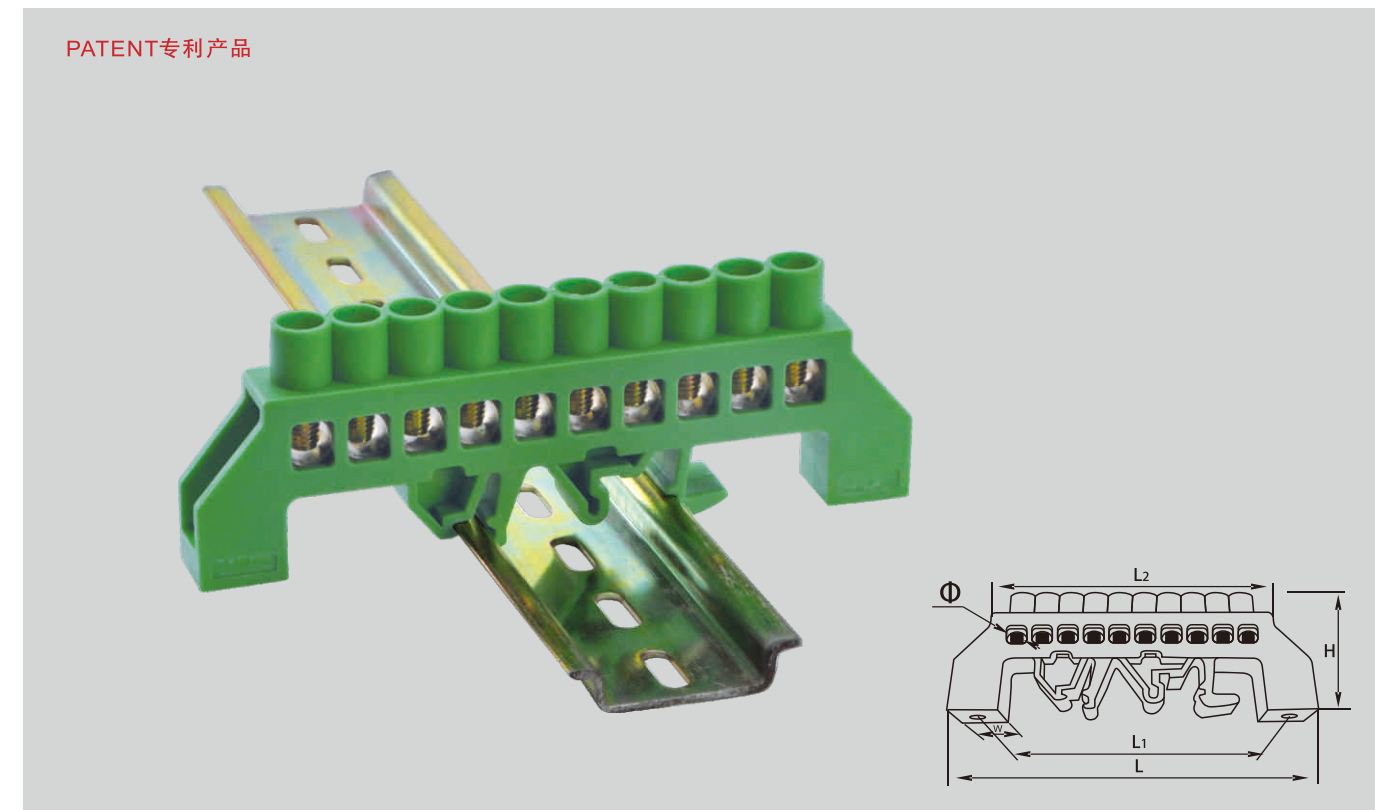
Earthing Connection With Din Rail Holder
<PA66>
Color: ● ● ●

导轨支架铜排地线接线端子
尼龙66
可选颜色: ● ● ●

Item No.	Brass w×h	Holes	L	L1	H	W	Ø	Screw Size	PCS/CTN
	mm								
SP032-01	6×9	7	53.0	35.5	26.3	13.0	5.2	M5.0	400
SP032-02	6×9	12	88.0	35.5	26.3	13.0	5.2	M5.0	400
SP032-03	6×9	15	108.0	35.5	26.3	13.0	5.2	M5.0	400

Brass Bar With Din Rail
Conductor: Brass
Screws: Steel, Zinc Plated

导轨支架铜排接线端子
触件: 铜
螺丝: 铁, 镀锌



Earthing Connection With Din Rail Holder
<PA>
Color: ● ● ●

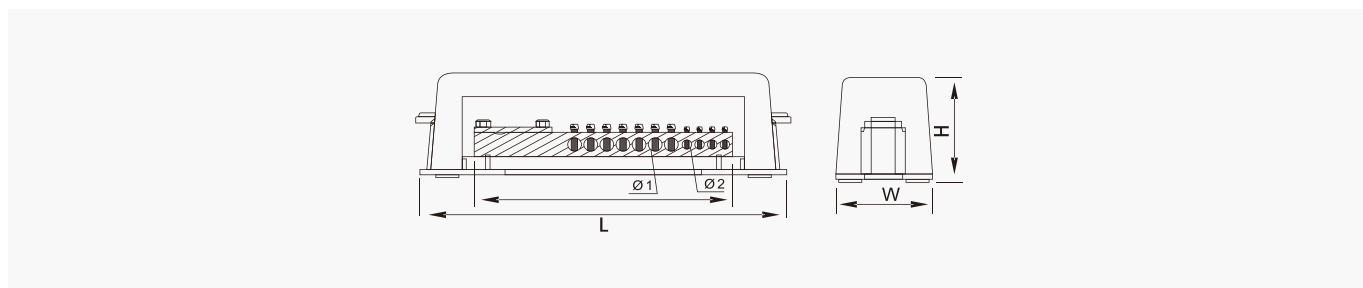
导轨支架铜排地线接线端子
<增强尼龙>
可选颜色: ● ● ●

Item No.	Brass w×h	Holes	L	L1	L2	H	W	Ø	Screw Size	PCS/CTN
	mm									
SP033-01	6×9	4	57.5	49.0	34.0	34.5	10.5	5.0	M4.0	1000
SP033-02	6×9	6	57.5	49.0	46.7	34.5	10.5	5.0	M4.0	1000
SP033-03	6×9	8	78.5	69.5	60.0	34.5	10.5	5.0	M4.0	800
SP033-04	6×9	10	89.0	78.0	72.8	34.5	10.5	5.0	M4.0	600
SP033-05	6×9	12	102.0	91.5	85.7	34.5	10.5	5.0	M4.0	500
SP033-06	8×12	4	77.5	66.0	40.6	38.6	12.6	7.0	M5.0	500
SP033-07	8×12	6	77.5	66.0	57.3	38.6	12.6	7.0	M5.0	500
SP033-08	8×12	8	94.3	83.0	74.4	38.6	12.6	7.0	M5.0	500
SP033-09	8×12	10	111.0	100.0	91.0	38.6	12.6	7.0	M5.0	500
SP033-10	8×12	12	128.4	117.5	108.6	38.6	12.6	7.0	M5.0	500
SP033-11	8×12	14	145.8	134.0	135.6	38.6	12.6	7.0	M5.0	250



Brass Bar Connector
Conductor: Brass
Screws: Steel, Zinc Plated

铜排接线端子
触件：铜
螺丝：铁，镀锌



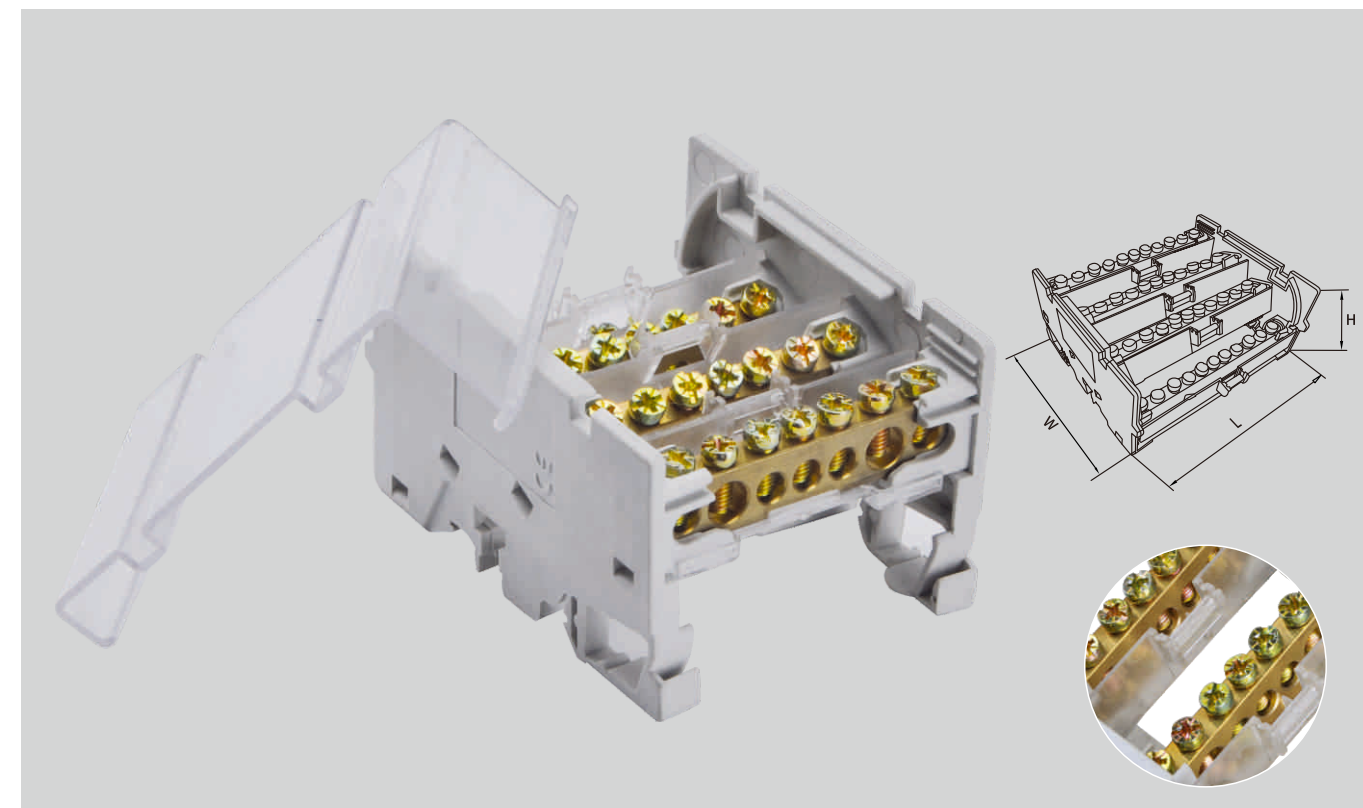
Lock Bar Terminal Block <PA>
Working Temperature: -40°C To 110°C
Color: ○

合盖接线端子<尼龙>
工作温度：-40°C 至 110°C
可选颜色：○

Item No.	Brass w×h	Holes	L	H	W	Ø1	Ø2	Screw Size	PCS/CTN
	mm								
SP034-01	14×10	7	173.0	42.0	51.5	5.8	3.8	M5.0	50
SP034-02	14×10	11	173.0	42.0	51.5	5.8	3.8	M5.0	50

Brass Bar Connector
Conductor: Brass
Screws: Steel, Zinc Plated

铜排接线端子
触件：铜
螺丝：铁，镀锌



Brass Bars Box <PC>
Working Temperature: -35°C To 120°C
Color: Transparent

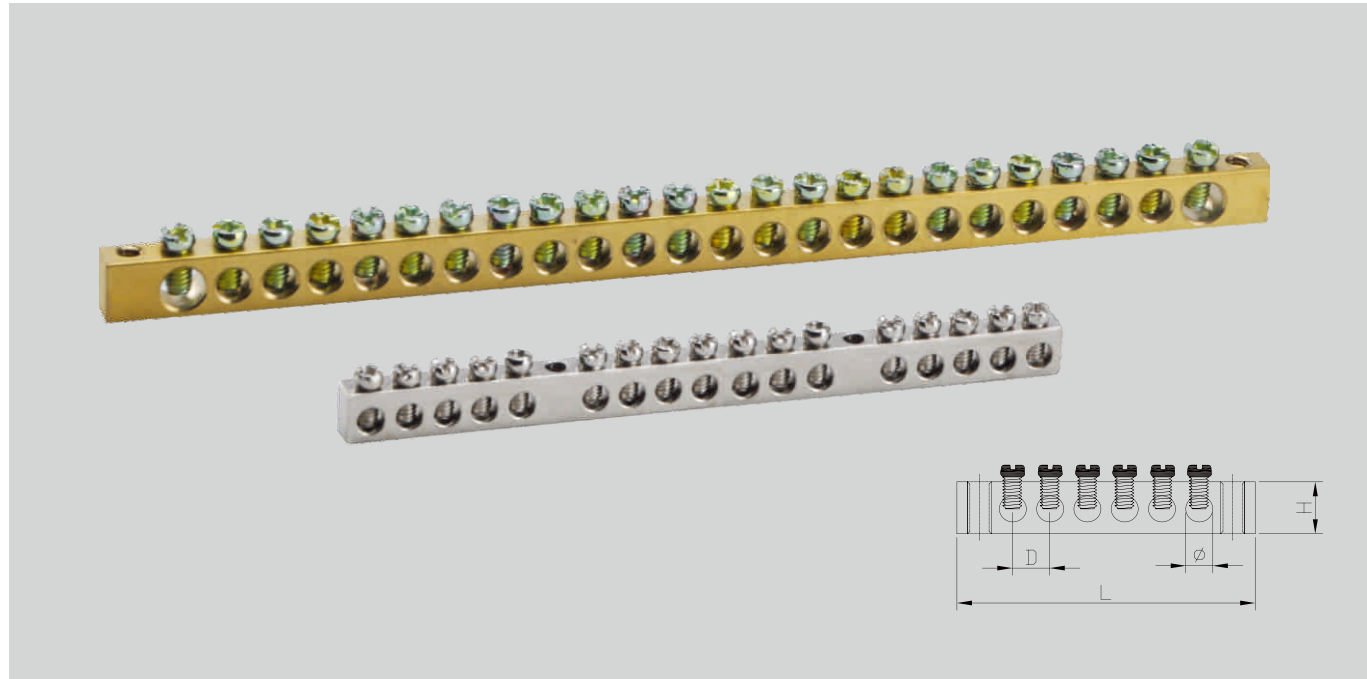
铜排接线盒<聚碳酸酯>
工作温度：-35°C 至 120°C
可选颜色：透明

Item No.	Brass w×h	Holes	Pole	L	H	W	PCS/CTN
	mm						
SP037-01	6.5×12	7	2	65.5	50.0	46.5	100
SP037-02	6.5×12	7	4	66.0	50.0	86.0	80
SP037-03	6.5×12	11	4	102.5	50.0	86.0	50



Brass Bar
Conductor: Brass
Screws: Steel, Zinc Plated

铜排接线端子
触件：铜
螺丝：铁，镀锌



● Other sizes can be made as requested

● 可依图纸订制

Item No.	Brass w×h	Holes	L	D	Ø	Screw Size	PCS/CTN
	mm						
SP038-01	6×9	6/1	45.2	6.2	4.5	M4.0	1000
SP038-02	6×9	8/1	57.6	6.2	4.5	M4.0	1000
SP038-03	6×9	10/1	70	6.2	4.5	M4.0	1000
SP038-04	6×9	12/1	82.4	6.2	4.5	M4.0	500
SP038-05	6×9	14/1	95	6.2	4.5	M4.0	500
SP038-06	6×9	20/1	132	6.2	4.5	M4.0	500
SP038-07	6×9	22/1	144.5	6.2	4.5	M4.0	500
SP038-08	6×9	24/1	159	6.2	4.5	M4.0	500
SP038-09	6×9	6/2	52.8	6.2	4.5	M4.0	1000
SP038-10	6×9	8/2	65.2	6.2	4.5	M4.0	1000
SP038-11	6×9	10/2	77.6	6.2	4.5	M4.0	1000
SP038-12	6×9	12/2	90.0	6.2	4.5	M4.0	1000
SP038-13	6×9	14/2	102.0	6.2	4.5	M4.0	500
SP038-14	6×9	20/2	139.0	6.2	4.5	M4.0	1000
SP038-15	6×9	24/2	165.0	6.2	4.5	M4.0	1000

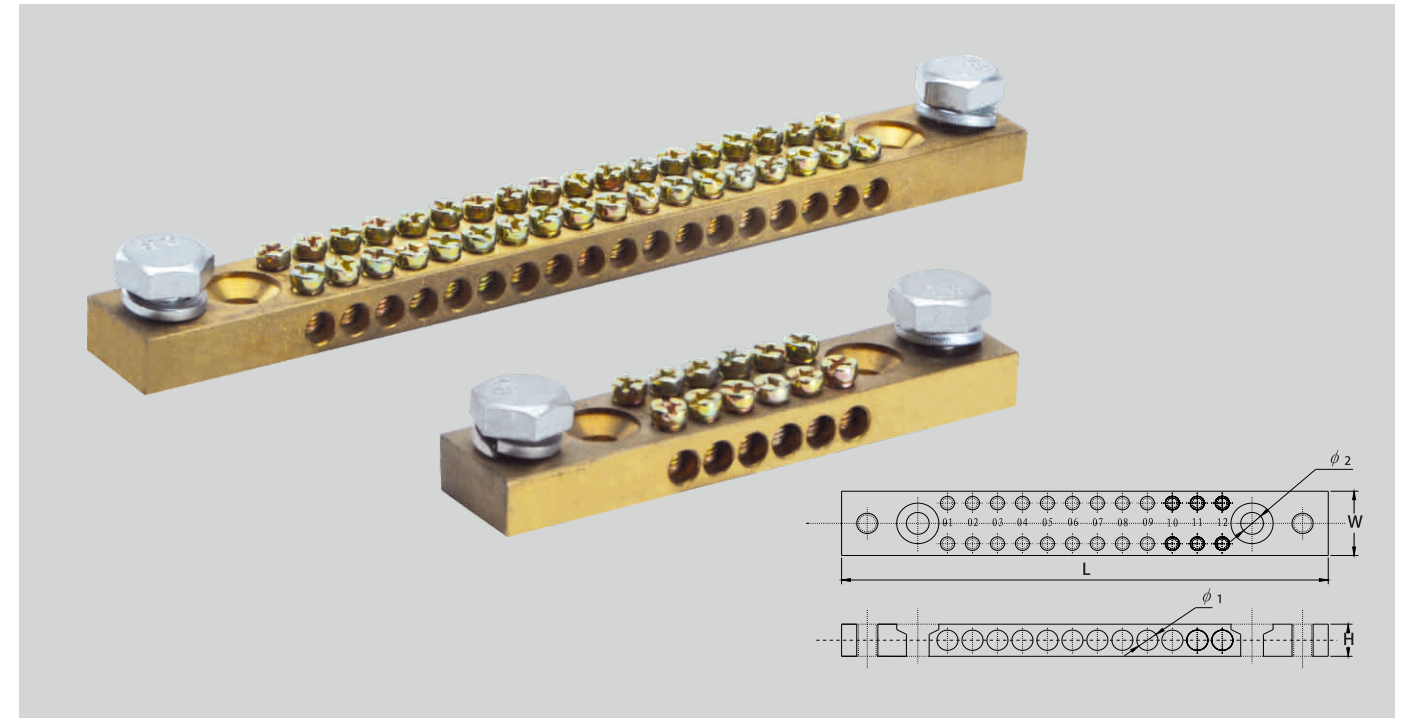
Item No.	W×H	Holes	L	D	H	Ø1	2-Ø2	Screw Size
	mm							
SP038-20	6x9	4-1	33.5	6.0	9	4.5	5.5	M4
SP038-21	6x9	6-1	45.5	6.0	9	4.5	5.5	M4
SP038-22	6x9	8-1	58.0	6.0	9	4.5	5.5	M4
SP038-23	6x9	10-1	70.4	6.0	9	4.5	5.5	M4
SP038-24	6x9	12-1	82.8	6.05	9	4.5	5.5	M4
SP038-25	6x9	14-1	95.0	6.05	9	4.5	5.5	M4
SP038-26	6x9	20-1	132.4	6.1	9	4.5	5.5	M4
SP038-27	6x9	4-2	40	6.1	9	4.5	5.5	M4
SP038-28	6x9	6-2	52	6	9	4.5	5.5	M4
SP038-29	6x9	8-2	64.2	6.0	9	4.5	5.5	M4
SP038-30	6x9	10-2	76.2	6.0	9	4.5	5.5	M4
SP038-31	6x9	12-2	89.0	6.2	9	4.5	5.5	M4
SP038-32	6x9	14-2	101.45	6.15	9	4.5	5.5	M4
SP038-33	6x9	16-2	113.8	6.2	9	4.5	5.5	M4
SP038-34	6x9	18-2	126.2	6.2	9	4.5	5.5	M4
SP038-35	6x9	20-2	138.6	6.2	9	4.5	5.5	M4
SP038-36	6x9	22-2	151.0	6.2	9	4.5	6.0	M4
SP038-37	6x9	24-2	163.4	6.2	9	4.5	5.5	M4
SP038-38	6x9	26-2	175.8	6.2	9	4.5	5.5	M4
SP038-40	6x9	6-1	47.7	6.2	9	4.5	6.0	M4
SP038-41	6x9	8-1	60.1	6.2	9	4.5	6.0	M4
SP038-42	6x9	10-1	72.5	6.2	9	4.5	6.0	M4
SP038-43	6x9	12-1	84.9	6.2	9	4.5	6.0	M4
SP038-44	6x9	14-1	97.3	6.2	9	4.5	6.0	M4
SP038-45	6x9	20-1	134.5	6.2	9	4.5	6.0	M4
SP038-46	6x9	24-1	159.3	6.2	9	4.5	6.0	M4
SP038-47	6x9	6-2	52.8	6.2	9	4.5	6.0	M4
SP038-48	6x9	8-2	65.2	6.2	9	4.5	6.0	M4
SP038-49	6x9	10-2	77.6	6.2	9	4.5	6.0	M4
SP038-50	6x9	12-2	90	6.2	9	4.5	6.0	M4
SP038-51	6x9	14-2	102.4	6.2	9	4.5	6.0	M4
SP038-52	6x9	20-2	139.6	6.2	9	4.5	6.0	M4



Item No.	WxH	Holes	L	D	H	Ø1	2-Ø2	Screw Size
	mm							
SP038-53	6x9	24-2	164.4	6.2	9	4.5	6.0	M4
SP038-54	8x12	6-1	53.2	7.2	12	5.3	7.5	M5
SP038-55	8x12	8-1	67.6	7.2	12	5.3	7.5	M5
SP038-56	8x12	10-1	82	7.2	12	5.3	7.5	M5
SP038-57	8x12	12-1	96.4	7.2	12	5.3	7.5	M5
SP038-58	8x12	14-1	109	7.2	12	5.3	7.5	M5
SP038-59	8x12	20-1	154	7.2	12	5.3	7.5	M5
SP038-60	8x12	24-1	182.8	7.2	12	5.3	7.5	M5
SP038-61	8x12	6-2	59.4	7.2	12	5.3	7.5	M5
SP038-62	8x12	8-2	73.8	7.2	12	5.3	7.5	M5
SP038-63	8x12	10-2	88.2	7.2	12	5.3	7.5	M5
SP038-64	8x12	12-2	102.6	7.2	12	5.3	7.5	M5
SP038-65	8x12	14-2	117	7.2	12	5.3	7.5	M5
SP038-66	8x12	20-2	160.2	7.2	12	5.3	7.5	M5
SP038-67	8x12	24-2	189	7.2	12	5.3	7.5	M5

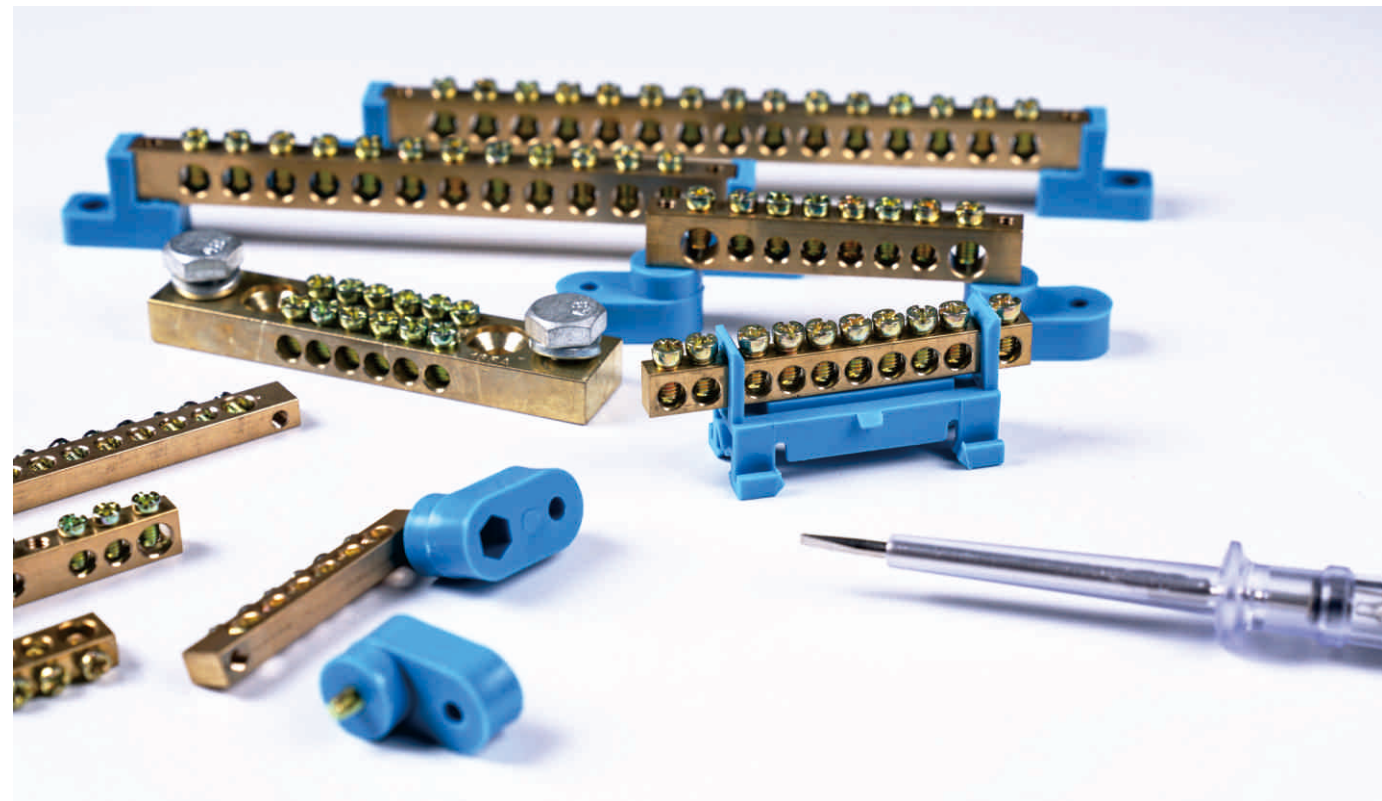
Brass Bar
Conductor: Brass
Screws: Steel, Zinc Plated

铜排接线端子
触件：铜
螺丝：铁，镀锌



● Other dimensions can be made as requested

● 可依图纸订制



Item No.	Brass w×h	Holes	L	Ø1	Ø2	Screw Size	PCS/CTN
	mm						
SP039-01	19×9.5	6	93.0	5.2	6.3	M5.0	300
SP039-02	19×9.5	12	132.0	5.2	6.3	M5.0	200
SP039-03	19×9.5	18	171.0	5.2	6.3	M5.0	200
SP039-04	19×9.5	24	210.0	5.2	6.3	M5.0	100
SP039-05	19×9.5	30	249.0	5.2	6.3	M5.0	100
SP039-06	19×9.5	36	290.0	5.2	6.3	M5.0	100
SP038-07	19×9.5	42	327.0	5.2	6.3	M5.0	100
SP039-08	19×9.5	48	367.0	5.2	6.3	M5.0	100
SP039-09	19×9.5	60	444.0	5.2	6.3	M5.0	80
SP039-10	19×9.5	72	521.0	5.2	6.3	M5.0	80
SP039-11	19×9.5	84	600.0	5.2	6.3	M5.0	50
SP039-12	19×9.5	96	677.0	5.2	6.3	M5.0	30
SP039-13	19×9.5	106	756.0	5.2	6.3	M5.0	20



SP040
C45 Conductor

接线柱

001



铁镀彩锌
Steel,Zinc Plated

002



铁镀白锌
Steel,Zinc Plated

003



铁镀彩锌
Steel,Zinc Plated

004



铁镀彩锌
Steel,Zinc Plated

005



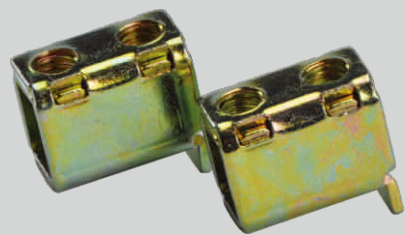
铁镀环保锌
Steel,Zinc Plated(RoHS)

006



铁镀锌
Steel,Zinc Plated

007



铁镀彩锌
Steel Zinc Plated

008



铁镀彩锌
Steel,Zinc Plated



07

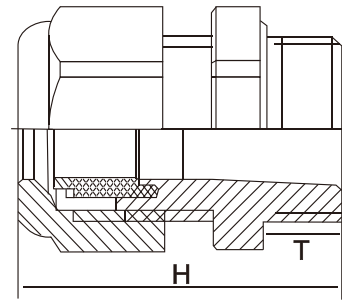
CABLE ACCESSORIES

接线配件



Cable Glands

电缆接头



材料: 尼龙
密封件: 丁腈橡胶, 三元乙丙橡胶
防护等级: IP68
环境温度: 静态-40°C至100°C, 短时至120°C
供货颜色: 灰色 黑色
其它颜色请询问

Material: Nylon
Seals: NBR EPDM
Protection Grade: IP68(with Sealing)
Environment Temperature: from -40°C to 100°C (120°C, short Term).
Product Color: Grey Black
Other colors please inquire.



(OPTIONAL)

Item No.	Type	Wire Range	H	T
		mm		
SP101	PG7	3.5-6	22.0	8.0
	PG9	4-8	26.0	8.0
	PG11	5-10	27.0	8.0
	PG13.5	6-12	28.0	9.0
	PG16	10-14	30.0	10.0
	PG19	12-15	30.0	10.0
	PG21	13-18	35.0	10.0
	PG25	16-21	34.0	11.0
	PG29	18-25	40.0	12.0
	PG36	22-32	48.0	14.0
	PG42	32-38	49.0	14.0
	PG48	37-44	50.0	14.0
	PG63	42-50	60.0	27.0
	M12×1.5	3.5-6	22.0	8.0
	M14×1.5	4-8	26.0	8.0
	M16×1.5	4-8	26.0	8.0
	M18×1.5	5-10	27.0	8.0
	M20×1.5	6-12	28.0	9.0
	M22×1.5	10-14	30.0	10.0
	M24×1.5	12-15	30.0	10.0
	M25×1.5	13-18	35.0	10.0
	M27×1.5	13-18	35.0	10.0
	M30×1.5	16-21	34.0	11.0
	M32×1.5	16-21	34.0	11.0
	M36×1.5	18-25	40.0	12.0
	M40×1.5	22-32	48.0	14.0
	M50×1.5	32-38	49.0	14.0
	M63×1.5	37-44	50.0	14.0

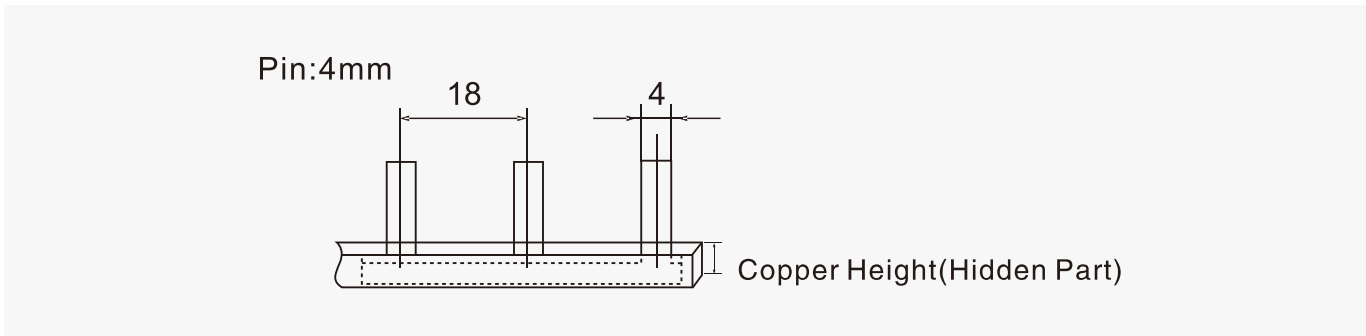
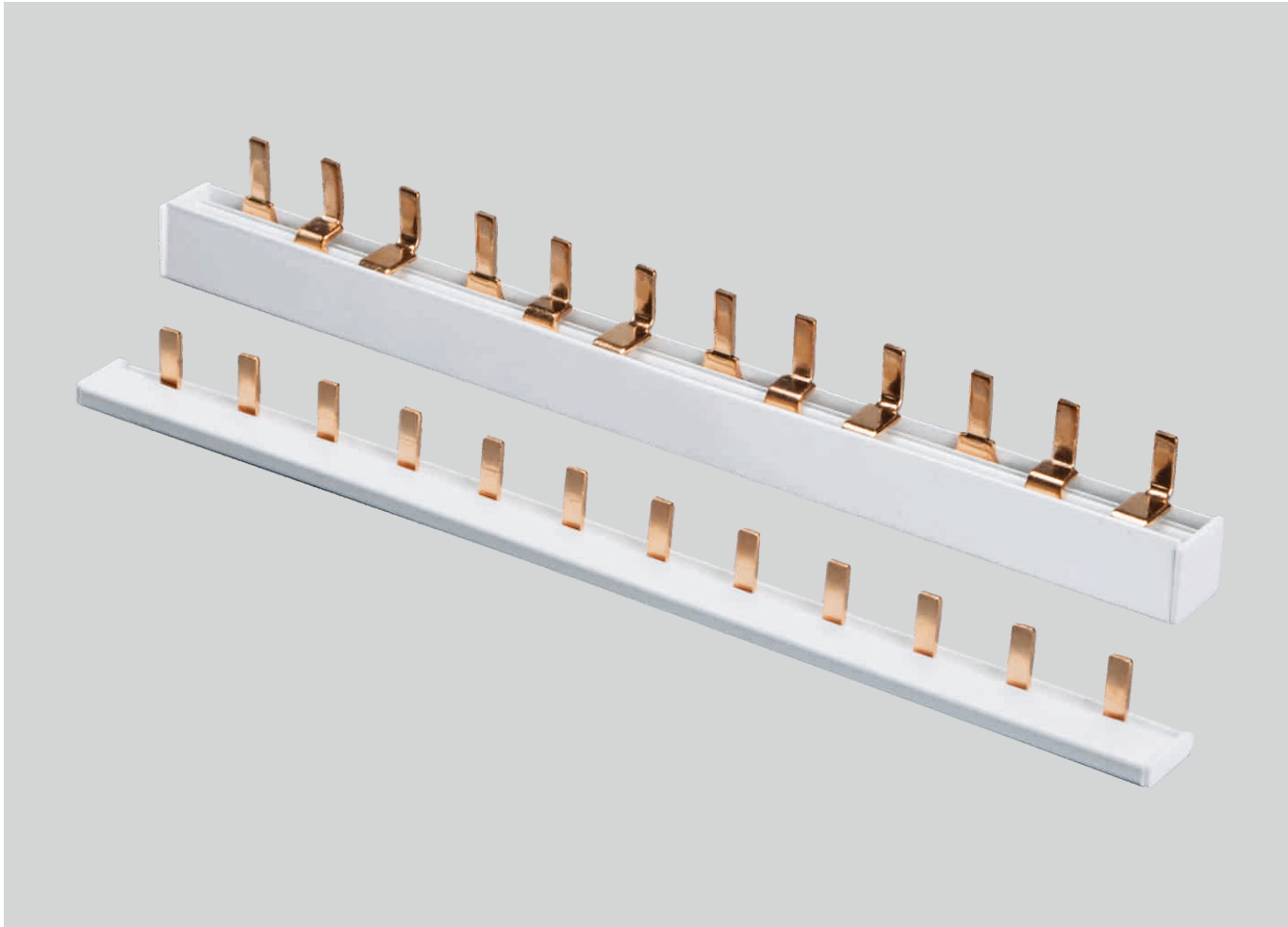


Busbar

Material : Copper,PVC
Color : Grey

汇流排

材料：紫铜，PVC
颜色：亮灰色



Item No.	Phase	No. of Pins	Rated Current Reference	
			Rated Current(A)	Thickness× Height(mm)
SP102 T	1	56	63	1.5×9
	2	56	63	1.5×9
	3	54	63	1.5×9
	4	56	63	1.5×9

Item No.	Phase	No. of Pins	Rated Current Reference	
			Rated Current(A)	Thickness× Height(mm)
SP102 T	1	56	40	1.5×7
	2	56	40	1.5×7
	3	54	40	1.5×7
	4	56	40	1.5×7

● Also Available In 1.2×7, 1.4×7(1-3Phases)
可订制规格1.2×7, 1.4×7(1-3P)

Item No.	Phase	No. of Pins	Rated Current(A)	Copper
				Thickness× Height(mm)
SP102 T	1	56	80A	1.8×9
	2	56	80A	1.8×9
	3	54	80A	1.8×9

Item No.	Phase	No. of Pins	Rated Current(A)	Copper
				Thickness× Height(mm)
SP102 T	1	56	100A	2.0×9
	2	56	100A	2.0×10
	3	54	100A	2.0×10
	4	56	100A	2.0×10



Busbar

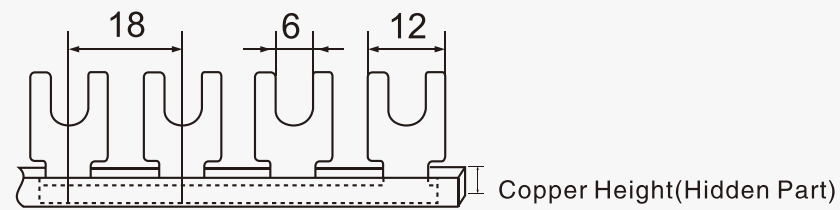
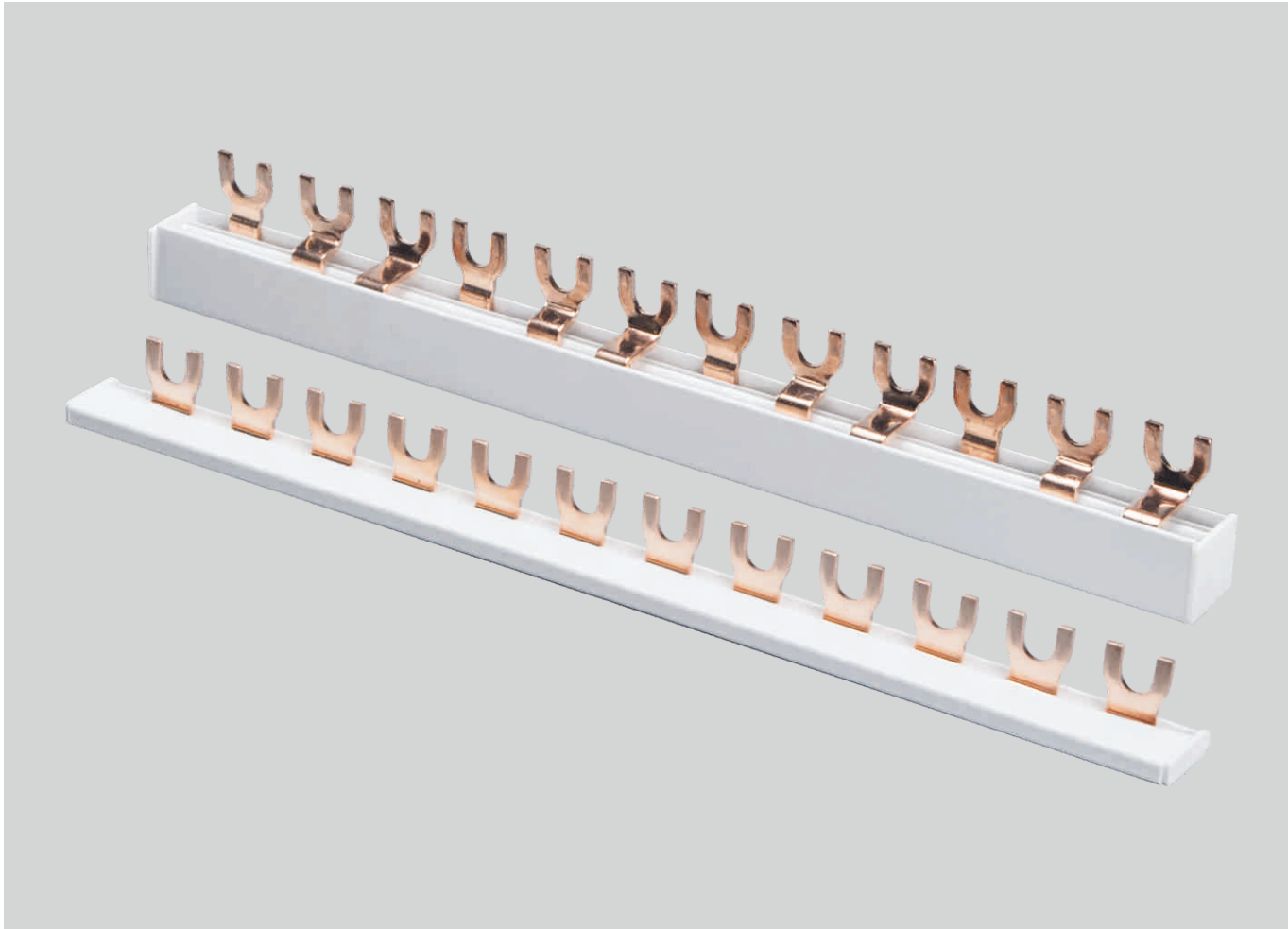
Material : Copper,PVC

Color : Grey

汇流排

材料：紫铜，PVC

颜色：亮灰色



Standard Length: 1m

标准长度：1米

Item No.	Phase	No. of Pins	Rated Current(A)	Copper
				Thickness× Height(mm)
SP102 U	1	56	63A	1.5×9
	2	56	63A	1.5×9
	3	54	63A	1.5×9
	4	56	63A	1.5×9

Item No.	Phase	No. of Pins	Rated Current(A)	Copper
				Thickness× Height(mm)
SP102 U	1	56	40A	1.5×7
	2	56	40A	1.5×7
	3	54	40A	1.5×7
	4	56	40A	1.5×7

● Also Available In 1.2×7, 1.4×7(1-3Phases)
可订制规格1.2×7, 1.4×7(1-3P)

Item No.	Phase	No. of Pins	Rated Current(A)	Copper
				Thickness× Height(mm)
SP102 U	1	56	80A	1.8×9
	2	56	80A	1.8×9
	3	54	80A	1.8×9
	4	56	80A	1.8×10



Nylon Cable Ties

Material: PA66, UL94-V2

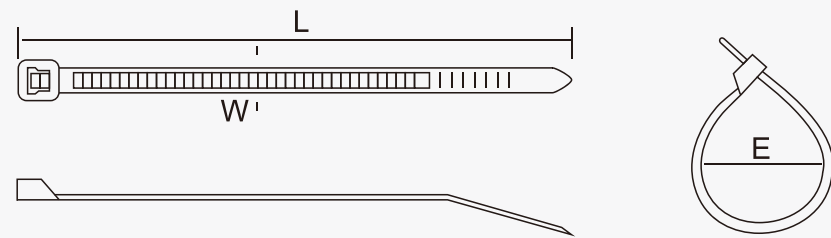
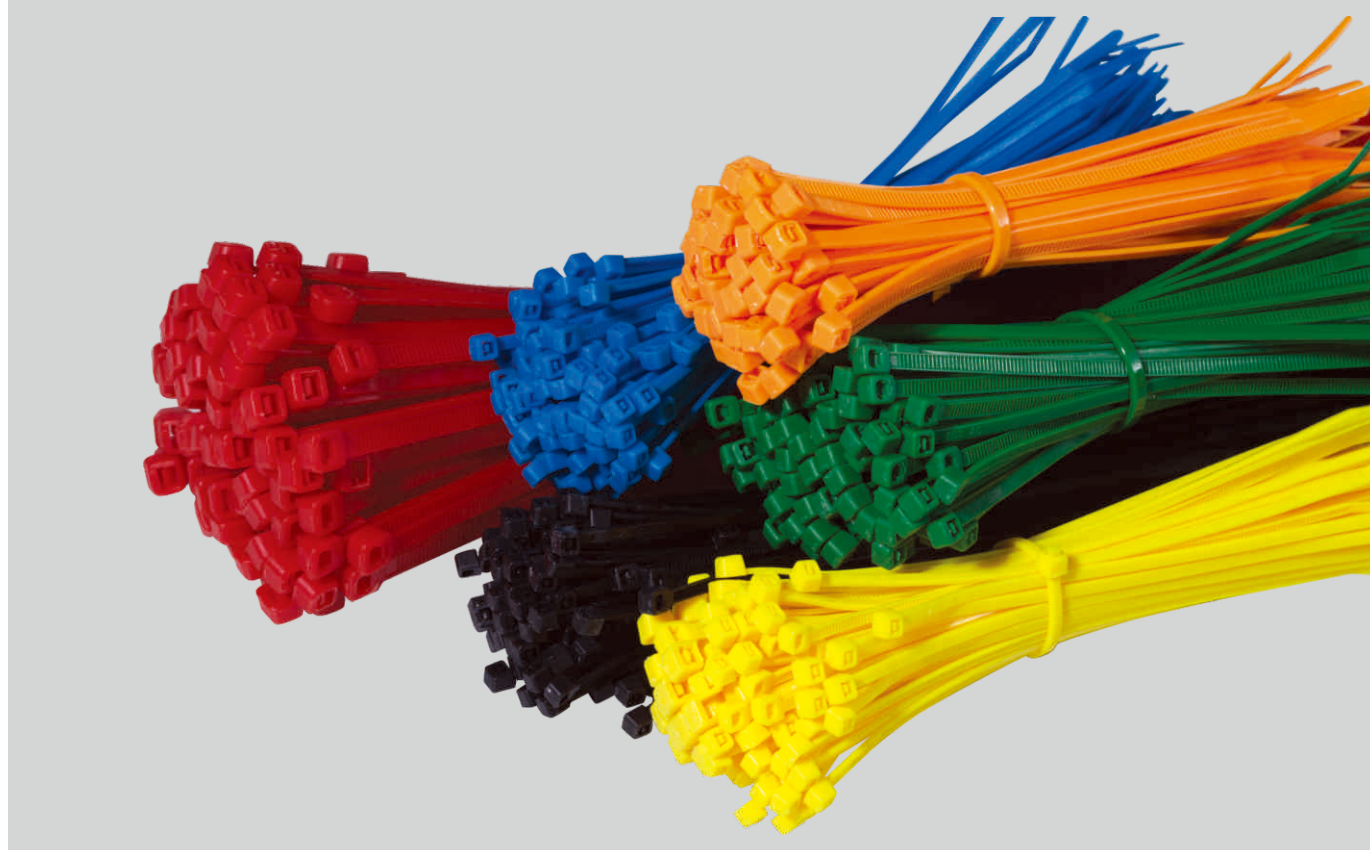
Color: White As Standard

Other colors are available as requested.

尼龙扎带

材质: PA66, 防火等级UL94-V2

颜色: 白色, 其他色可以订制



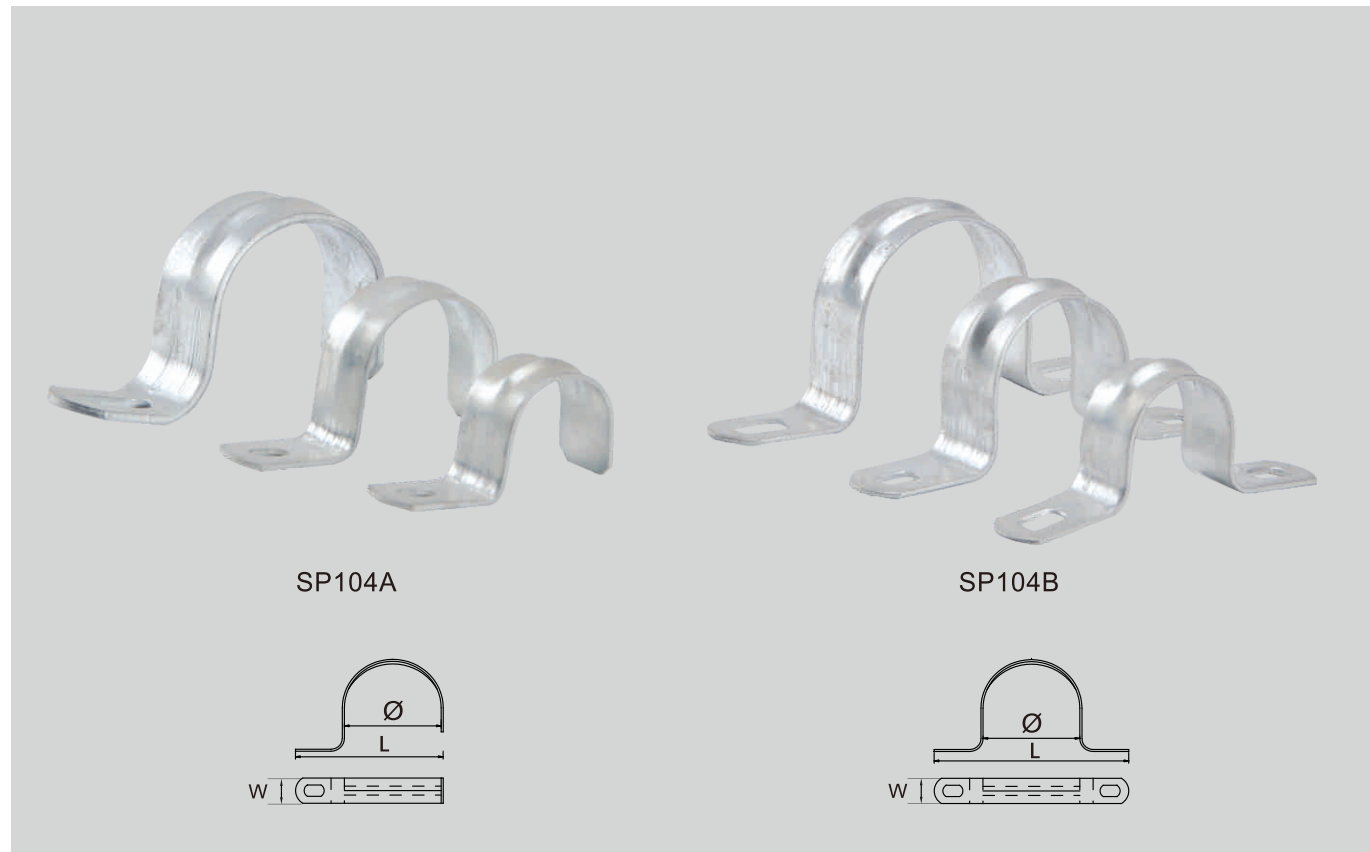
Item No.	W(mm)	L		Bundle Dia(E)	Tensile Strength	
		mm	Inch		Lbs	Kgs
SP103	2.5	60	2.4 "	2-11	18	8
	2.5	80	3.2 "	2-16	18	8
	2.5	100	4.0 "	2-22	18	8

Item No.	W(mm)	L		Bundle Dia(E)	Tensile Strength	
		mm	Inch		Lbs	Kgs
SP103	2.5	120	4.7 "	2-30	18	8
	2.5	150	6.0 "	2-35	18	8
	2.5	160	6.3 "	2-38	18	8
	2.5	200	8.0 "	3-50	18	8
	3.6	100	4.0 "	3-22	40	18
	3.6	120	4.7 "	3-30	40	18
	3.6	150	6.0 "	3-35	40	18
	3.6	180	7.08 "	3-45	40	18
	3.6	200	8.0 "	3-50	40	18
	3.6	250	10 "	3-65	40	18
	3.6	300	12 "	3-80	40	18
	3.6	370	14.6 "	3-105	40	18
	4.5	100	4.0 "	3-22	50	18
	4.5	120	4.7 "	3-30	50	18
	4.5	150	6.0 "	3-40	50	18
	4.8	160	6.3 "	3-42	50	18
	4.8	180	7.08 "	3-45	50	18
	4.8	200	8.0 "	3-50	50	22
	4.8	250	10 "	3-65	50	22
	4.8	300	12 "	3-80	50	22
	4.8	350	14 "	3-90	50	22
	4.8	370	14.6 "	3-98	50	22
	4.8	400	16 "	3-105	50	22
	4.8	430	16.9 "	3-120	50	22
	4.8	450	17.7 "	3-130	50	22
	4.8	500	19.7 "	3-150	50	22
	4.8	550	21.65 "	3-160	50	22
	4.8	600	25.98 "	3-170	50	22
	4.8	650	25.6 "	4-190	50	22
	4.8	720	28.35 "	3-205	50	22
	7.6	200	8.0 "	3-50	120	55
	7.6	250	10 "	4-65	120	55
	7.6	300	12 "	4-80	120	55
	7.6	350	14 "	4-90	120	55
	7.6	400	16 "	4-105	120	55
	7.6	450	18 "	4-110	120	55
	7.6	500	20 "	4-150	120	55
	7.6	550	21.6 "	4-165	120	55
	7.6	380	15.0 "	4-98	55	120
	9.0	400	16 "	8-105	175	79.4
	9.0	450	18 "	8-118	175	79.4
	9.0	500	20 "	8-150	175	79.4
9.0	550	21.6 "	8-160	175	79.4	
9.0	600	23.6 "	8-170	175	79.4	
9.0	650	25.6 "	8-185	175	79.4	
9.0	720	28.3 "	10-195	175	79.4	
9.0	800	31.5 "	10-230	175	79.4	
9.0	900	35.5 "	10-265	175	79.4	
9.0	1000	29.4 "	10-300	175	79.4	
9.0	1200	47.2 "	10-370	175	79.4	
9.0	700	28.0 "	10-190	175	79.4	
9.0	760	30.4 "	10-215	175	79.4	
9.0	850	34.0 "	10-245	175	79.4	



Steel Clamp

铁质单管夹



Material: Steel, White Zinc Plated
Color: ●

材质：铁镀锌
可选颜色：●

Item No.	Dia	mm			Model	Dia	mm		
		L	W	Thickness			L	W	Thickness
SP104A	8	28.0	10.0	0.9	SP104B	10	42.0	10.0	0.9
	10	30.0	10.0	0.9		12	51.0	12.0	0.9
	12	32.0	10.0	0.9		14	51.0	12.0	0.9
	14	35.0	10.0	0.9		16	56.0	12.0	0.9
	16	40.0	10.0	0.9		20	56.0	12.0	0.9
	20	40.0	12.0	0.9		22	63.0	14.0	0.9
	22	43.0	12.0	0.9		25	73.0	14.0	0.9
	25	50.0	12.0	0.9		32	77.0	14.0	0.9
	32	62.0	16.0	1.8		40	93.0	14.0	1.2
	40	73.0	16.0	1.8		50	98.0	14.0	1.2
	50	88.0	16.0	1.8					

Cable Marker

号码管



Material: PVC
Marks: 0-9, A-Z, +, -, /, \
Working Temperature: -20°C to 60°C

材质：PVC
号码：0至9，A至Z，+，-，/，\
工作温度：-20°C 至 60°C

Item No.	Type	Approx Wire	Inner Dia	PCS/ROLL	ROLLS/CTN
SP105	EC-0	0.5mm ²	1.5	1000	150
	EC-0	0.75mm ²	2	1000	150
	EC-0	0.75-3.0mm ²	2.8	1000	150
	EC-0	1.5-3.0mm ²	3	1000	150
	EC-1	2.6-4.2mm ²	3.6	1000	150
	EC-2	3.6-7.4mm ²	4.3	500	150
	EC-3	5.2-10.0mm ²	4.5	350	150
	EC-3	8.0-11.9mm ²	6	250	150
	EC-3	10mm ²	6.5	180	150
	EC-3	12mm ²	8	150	150
	EC-3	16mm ²	10	80	150
	FM-1 EC-J	4.0-6.0mm ²	9	500	150



Cable Clips

线卡



Material:PE, Steel
Working Temperature:-40°C To 65°C
Color: ○ ●

材质：聚乙烯，钢钉
工作温度：-40°C 至 65°C
可选颜色：○ ●

Item No.	Type	Height	Dia	Nails	PCS/BAG	BAGS/CTN
		mm				
SP106 (Round)	3.5mm	4.2	3.5	1.47 × 14	100	500
	4mm	5.3	4.0	1.7 × 14	100	500
	5mm	6.0	5.0	1.7 × 14	100	500
	6mm	8.0	6.0	1.82 × 16	100	400
	6mm	8.0	6.0	1.82 × 25	100	400
	7mm	8.7	7.0	1.82 × 18	100	300
	7mm	9.5	7.0	1.82 × 25	100	300
	8mm	11.0	8.0	1.95 × 19	100	250
	9mm	12.0	9.0	2.05 × 22	100	250
	10mm	13.5	10.0	2.1 × 23	100	250
	12mm	16.5	12.0	2.2 × 25	100	150
	14mm	18.0	14.0	2.3 × 30	100	100
	16mm	20.0	16.0	2.35 × 32	100	100
	17mm	20.5	17.0	2.6 × 38	100	100
	18mm	20.5	18.0	2.6 × 38	100	50
	20mm	22.5	20.0	2.7 × 40	100	50
	22mm	23.5	22.0	2.9 × 43	100	50
	25mm	26.5	25.0	3.1 × 50	100	50
	30mm	32.5	30.0	3.5 × 55	25	50
	32mm	34.5	32.0	3.5 × 55	25	50
35mm	38.0	35.0	3.5 × 65	20	50	
40mm	43.8	40.0	3.5 × 65	12	50	

Cable Clips

线卡



Material:PE, Steel
Working Temperature:-40°C To 65°C
Color: ○ ●

材质：聚乙烯，钢钉
工作温度：-40°C 至 65°C
可选颜色：○ ●

Item No.	Type	Height	Dia	Nails	PCS/BAG	BAGS/CTN
		mm				
SP106 (Square)	4mm	5.2	3.8	1.7 × 14	100	500
	5mm	5.8	4.8	1.85 × 15	100	500
	6mm	6.2	5.5	1.8 × 16	100	500
	7mm	7.0	6.5	1.8 × 16	100	400
	8mm	7.9	7.5	1.9 × 17	100	300
	9mm	8.3	8.5	1.9 × 17	100	250
	10mm	8.3	9.5	2.0 × 20	100	250
	12mm	8.3	11.5	2.0 × 20	100	200
	14mm	8.5	13.2	2.0 × 20	100	150
	16mm	9.7	14.6	2.1 × 25	100	100



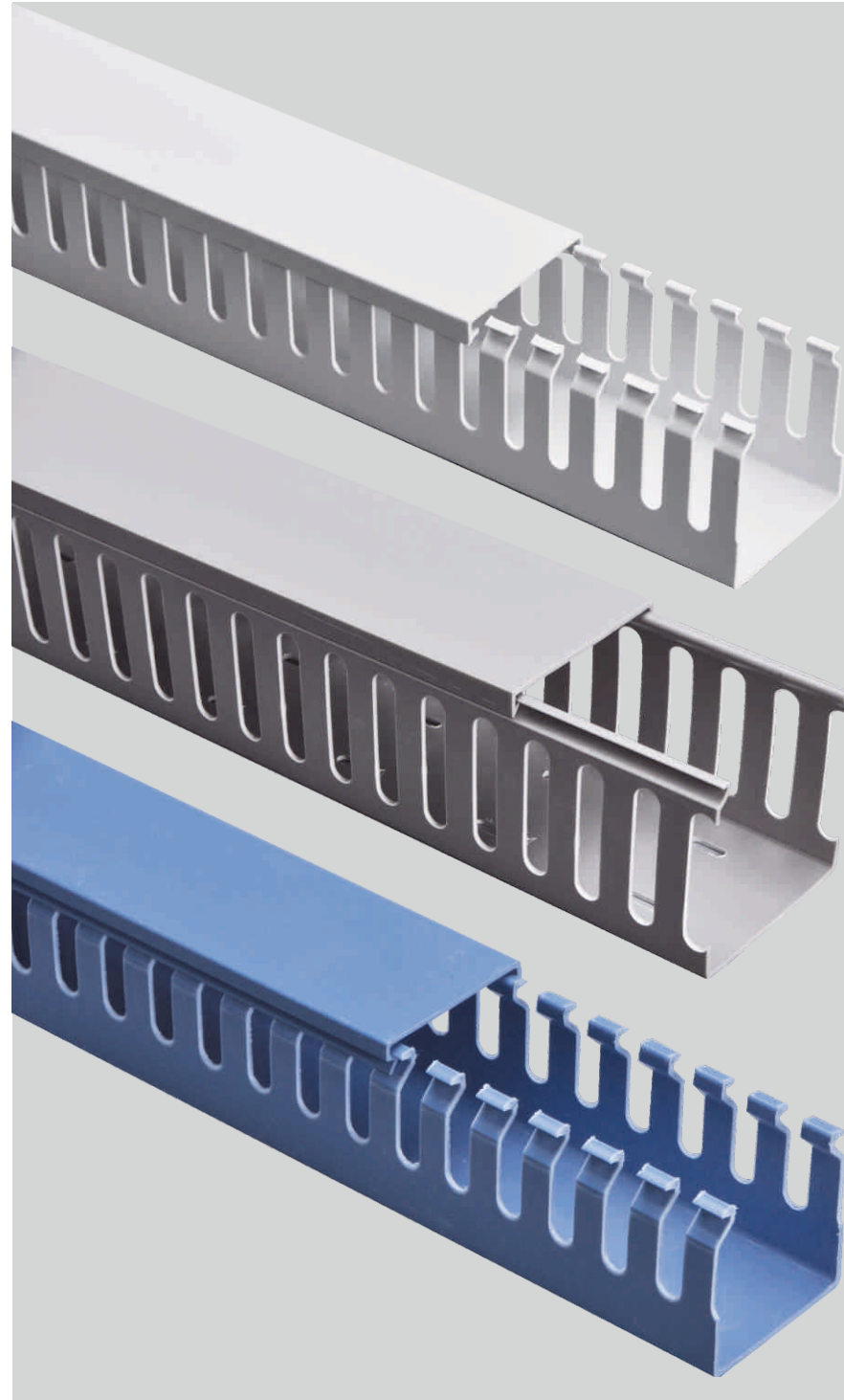
PVC Wire Duct

Standard Length:2m

(Different lengths are available as requested)

Colors: ○ ● ●

Types: Open Slot / Close Slot



PVC线槽

标准长度：2米

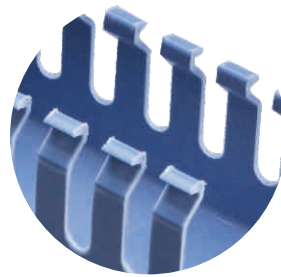
(可提供不同长度)

可选颜色：○ ● ●

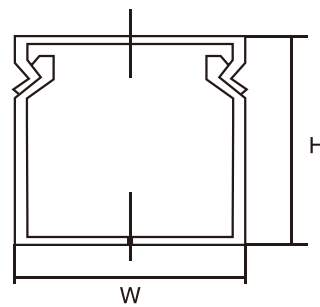
可定类型：封齿，开齿



Teeth Shut



Teeth Open

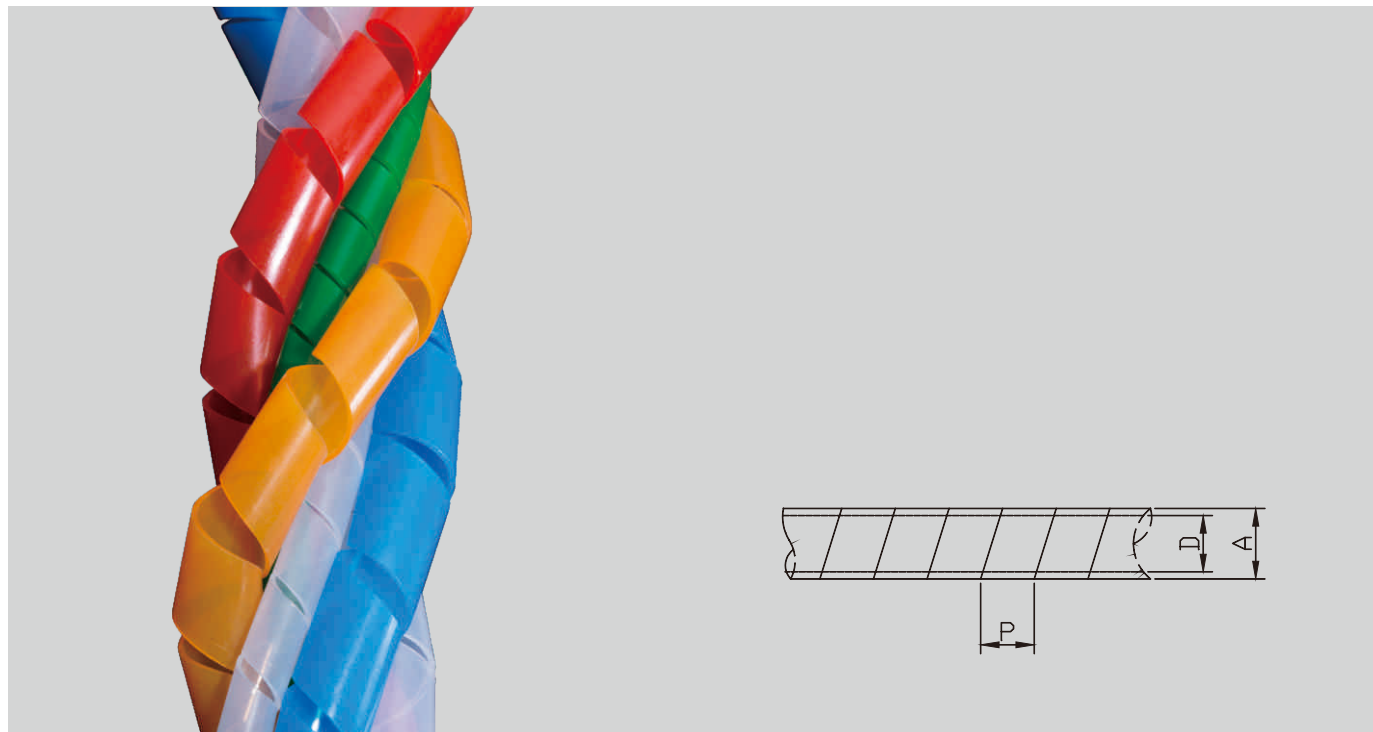


型号	H	W	Packing (M/CTN)	H	W	Packing (M/CTN)
SP108	20	15	200	50	45	100
	20	20	200	50	50	100
	20	25	200	50	55	100
	25	25	200	50	60	100
	30	15	200	50	80	60
	30	20	200	50	100	60
	30	25	200	60	25	100
	30	30	100	60	35	100
	30	35	100	60	40	100
	30	40	100	60	45	100
	30	50	100	60	50	100
	35	25	200	60	55	100
	35	30	100	60	60	60
	35	35	100	60	80	60
	35	40	100	60	100	50
	40	25	100	65	45	80
	40	30	100	65	65	60
	40	35	100	80	35	60
	40	40	100	80	40	60
	25	45	100	80	45	60
	45	45	100	80	50	60
	50	15	100	80	55	60
	50	20	100	80	60	60
	50	25	100	80	80	36
	50	30	100	80	100	36
	50	35	100	100	50	36
	50	40	100	100	80	36
			100	100	100	36



Spiral Wrapping Band

缠绕管



Material:PE

Working Temperature:-40°C To 65°C

Standard Length:10m/Roll

Standard Color: ○ ●

材质：聚乙烯

工作温度：-40°C 至 65°C

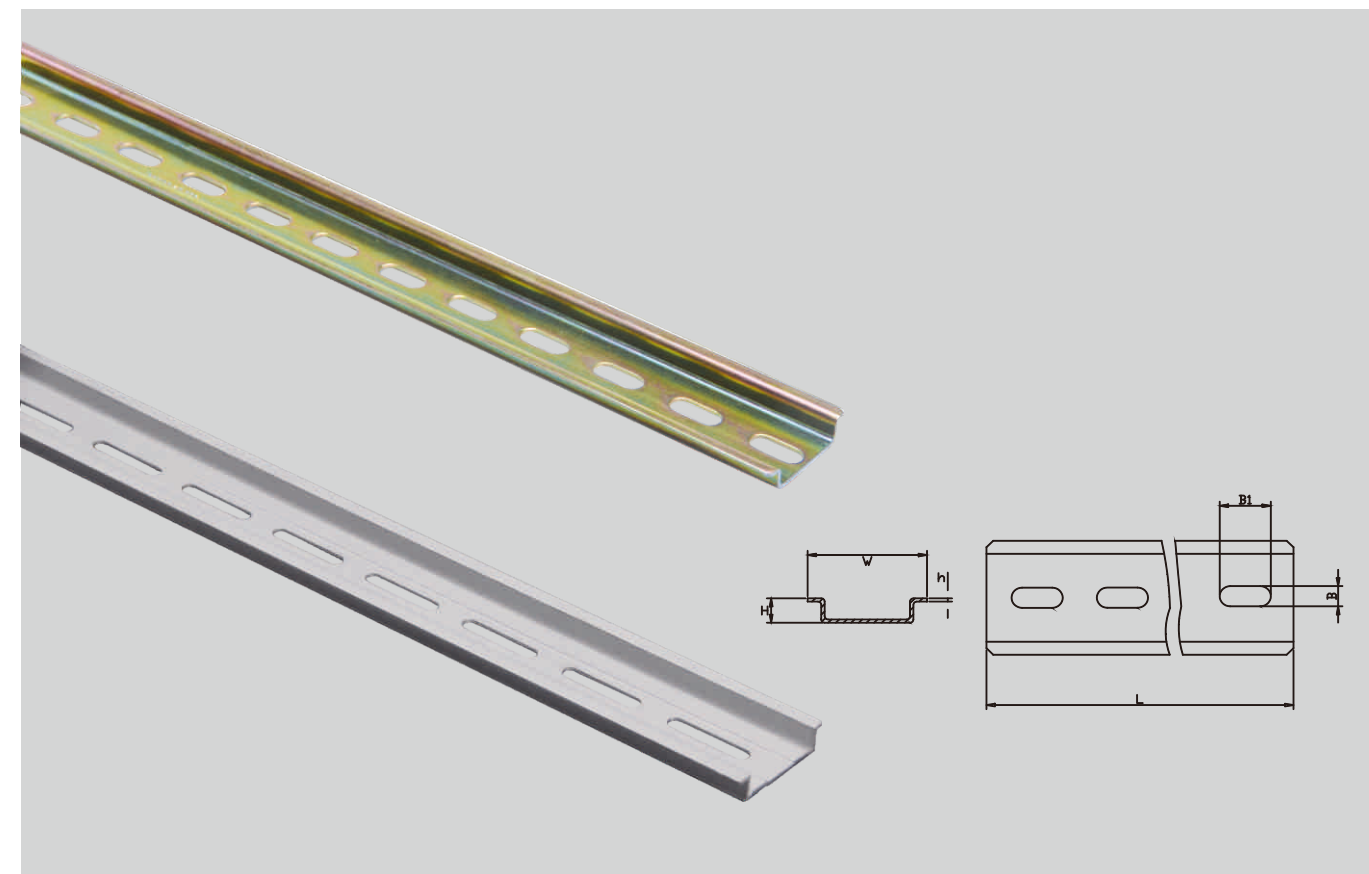
标准长度：10米/卷

标准色：○ ●

Item No.	A	Pitch(P)	Bundle Dia(D)	Rolls/CTN
	mm			
SP109	04	5	2-10	400
	06	7	4-10	170
	08	11	6-12	125
	10	11.5	7-14	100
	12	14	8-16	75
	14	14.5	11-19	50
	16	15	12-19	50
	18	16	15-35	40
	20	17.5	16-35	25
	22	19.5	18-100	25
	25	21	20-100	20
	28	22	25-150	20
	30	23.5	30-200	20

Din Rail

导轨



Steel & Aluminum Din Rail

Surface: Zinc Plated / Oxidized

Standard Length: 1m / 2m

铁、铝导轨

表面：镀锌、氧化

标准长度：1米 / 2米

Item No.	W	H	h (thickness)	BxB1
	mm			
SP110-01	35	7.5	0.9	4.2x12
SP110-02	35	7.5	0.9	6.2x15
SP110-03	35	7.5	1	4.2x12
SP110-04	35	7.5	1	6.2x15
SP110-05	35	7.5	1.2	4.2x12
SP110-06	35	7.5	1.2	6.2x15
SP110-07	35	7.5	1.5	4.2x12
SP110-08	35	7.5	0.7	4.2x12
SP110-09	35	7.5	0.9	4.2x12
SP110-10	35	7.5	1.1	4.2x12



Electroprobe

测电笔



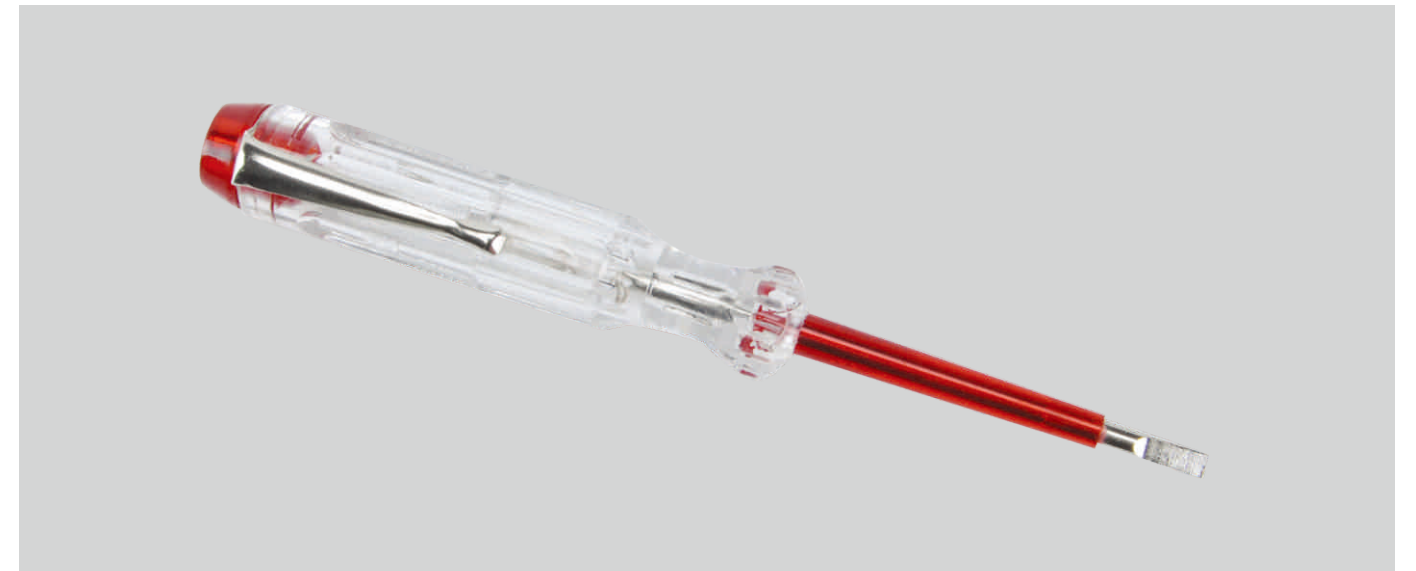
Item No.	Volt	Material	NW(kg)	GW(kg)	CBM(cm ³)	Packing (pcs/ctn)
SP-2207	100-500V	Plastic: AS Probe: 45#carbon steel Pen hung: Mn-steel	8	7	63X27.5X16	100



Item No.	Volt	Material	NW(kg)	GW(kg)	CBM(cm ³)	Packing (pcs/ctn)
SP-2204	100-250V	Plastic: AS Probe: 45#carbon steel Cap: Brass	9	10	34.5x32.5x16	600



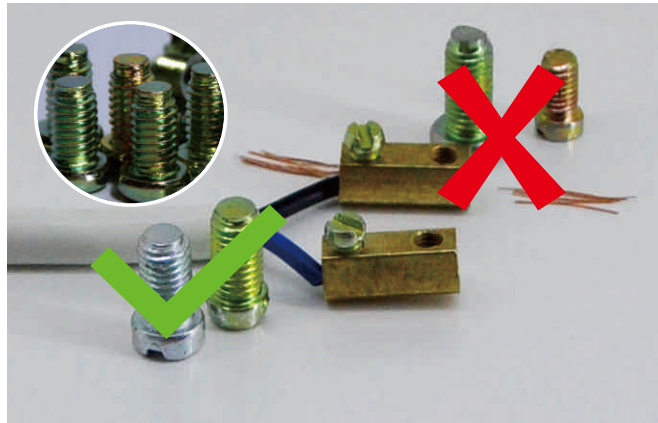
Item No.	Volt	Material	NW(kg)	GW(kg)	CBM(cm ³)	Packing (pcs/ctn)
SP-2203	100-250V	Plastic: AS+ABS Probe: 45#carbon steel pen hung: Mn-Steel	9	10	34.5x32.5x16	600



Item No.	Volt	Material	NW(kg)	GW(kg)	CBM(cm ³)	Packing (pcs/ctn)
SP-2307	100-250V	Plastic: AS Probe: 45#carbon steel	9	10	34.5x32.5x16	600

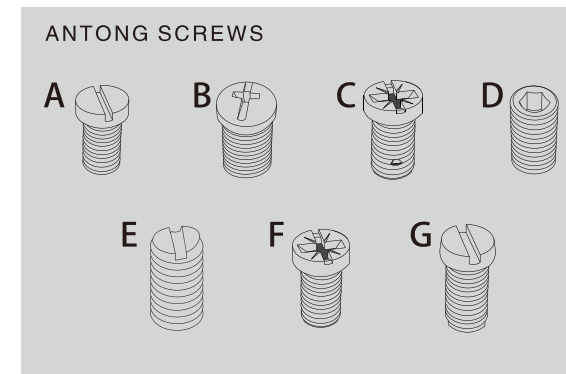
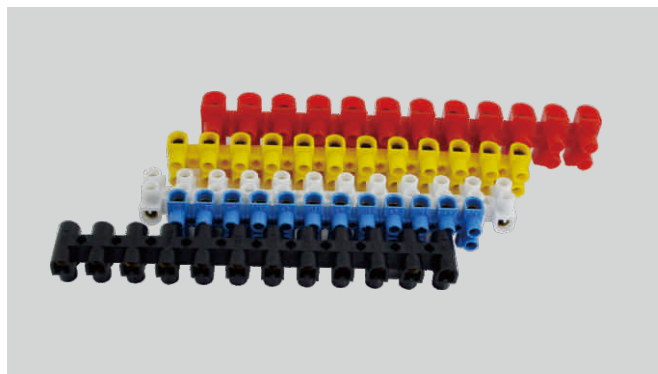
WHAT WE USE

Screws



- Prevent broken wires
不割线工艺
- White-Zinc plated
电镀白色锌
- Different types of screws are available from A To G
螺丝类型可从a至g选择
- Standard screw type: A&F
标配螺丝：A&F

Plastic & Coloring



- Polyethylene
PE: Good flexibility, extensibility and insulation. Inflammable
聚乙烯：良好的柔韧性，延伸性和电绝缘性，易燃
- Polypropylene
PP: Good insulation, fire-resistance
聚丙烯：良好的电绝缘性，阻燃。
- Polyamide66
PA: Good insulation, heat-resistance, fire-resistance
尼龙6/6：良好的电绝缘性，耐高温，阻燃
- Polycarbonate
PC: Good insulation, acid-resistance, heat-resistance, fire-resistance
聚碳酸酯：良好的电绝缘性，耐酸，耐高温，阻燃
- Bakelite
Bakelite: Good insulation, heat-resistance, corrosion resistance, fire-resistance, high mechanical strength. Fragile
胶木：良好的电绝缘性，耐高温，耐腐蚀，阻燃，高机械强度，易碎